

PROFESSIONAL STAGE & STUDIO EQUIPMENT



www.fortlamps.ru +7495 749 66 09 info@fortlamps.ru

KUPO[®]

PROFESSIONAL STAGE & STUDIO EQUIPMENT PROVIDER

WHO WE ARE

KUPO is one of the leading hardware solutions providers in the entertainment industry. We design, manufacture and distribute sophisticated products, including lighting and camera support, power connection, gear protection case, shopfitting display, lifting equipment and control systems.

For more than four decades, KUPO has established a well-recognized reputation for quality and innovation. Our customers are around the globe who work behind the scenes as the photographer, video and cine image-provider, theatre, concert hall, touring crews, and lighting designers. KUPO has forged its own path to the world by crafting innovative tools with unparalleled quality, sought after and shaped by industry professionals worldwide. To meet these professionals' needs, we offer numerous patent products including quick release and locking C-stand, multi direction easy storage Click Stand, auto self-locking Wind-up stand, lever lock and release device for Kupole, anti-slip rosettes friction disc of Max Arms, quick action Telescopic Hanger and the list goes on. All KUPO products have been painstakingly machined so you know you can count on their incredible strength and durability in harsh production environments. They are so durable, in fact, that they create a history of their own through their many years of service. Moreover its reliability is credited for certificates such as TUV-GS, CE, UL and CUL for several electrical products and the most popular Wind-up stand, Clamps, Couplers and Safety Wire.

OUR DRIVING FORCE

Our commitment to improvement is constant, we dedicate ourselves in creating Humanism, Quality, Invention and Safety to our people (both employee and customer), and our environment also to the booming content creation market. To those who work behind the scenes and stages, we consider you, the content creator, a partner, integral to our innovative process. We greatly value your experience and listen carefully to both your needs and desires, which inspires us to create better tools to empower your professionals to capture and share exceptional content. Enjoy your ride with us, when it comes to helping you achieve your vision dream with KUPO equipment,

**WE LIKE TO SAY AT KUPO:
*NEVER LET GO***



**YOUTUBE
KUPO FACTORY
INTRODUCTION VIDEO**

POWER SOLUTION INDEX

Powerfit	138 - 142
400A K-LOK	143 - 146
Single Pole Power Distribution	147 - 148
150A K-LOK	149 - 151
19-Pin	152 - 155
Dr. Harting & Dr.Soca	156
19-pin Cable Tester	157
Multi-pin	158 - 159
7-Pin	160
Head To Ballast	161
Stage Pin	162 - 163
Turn-Lok	164 - 166
CEE Form	167 - 168
XLR Connector	169
Powerlead & Schuko	170 - 171
Linear Power Distribution Box	172 - 174
Power Distro Box	175 - 180
Rubber Splitter Box	181
Y Splitter	182
Cable Assembly	183 - 185
Linear Data Distribution Box	186
RJ45 Ethernet	187
Loom Cable	188
Multi-Cable Roller	189
Versatile Socket	190
DMX Lighting Bar	191 - 192
Ku-hand & Adhesive Heat-Shrink Tube	193
Cable Crossover	194
Cable Tie & Clip	195 - 198
Gaffa Tape	199 - 200
Adhesive Hook & Loop Tape	201
Tool Bag	202

Content

Kupo is the go-to choice for the professional entertainment industry, offering a wide selection of connectors to meet diverse needs. From single pole to multi-pin connectors and cable management tool, we have you covered.

Safety is paramount, and we prioritize secure operations. That's why some of our connectors hold certifications such as cUL, UL, or CE, ensuring the highest level of safety for stage technicians.

Come and join us on www.stage.com.tw

POWERFIT Connectors

PowerFit connectors are well fabricated and compatible with major brands of single-pole power connector. The innovative and patent key releasing pin, particularly embedded on each line source and panel source, delivers great safety and convenience without additional tool while uncoupling.

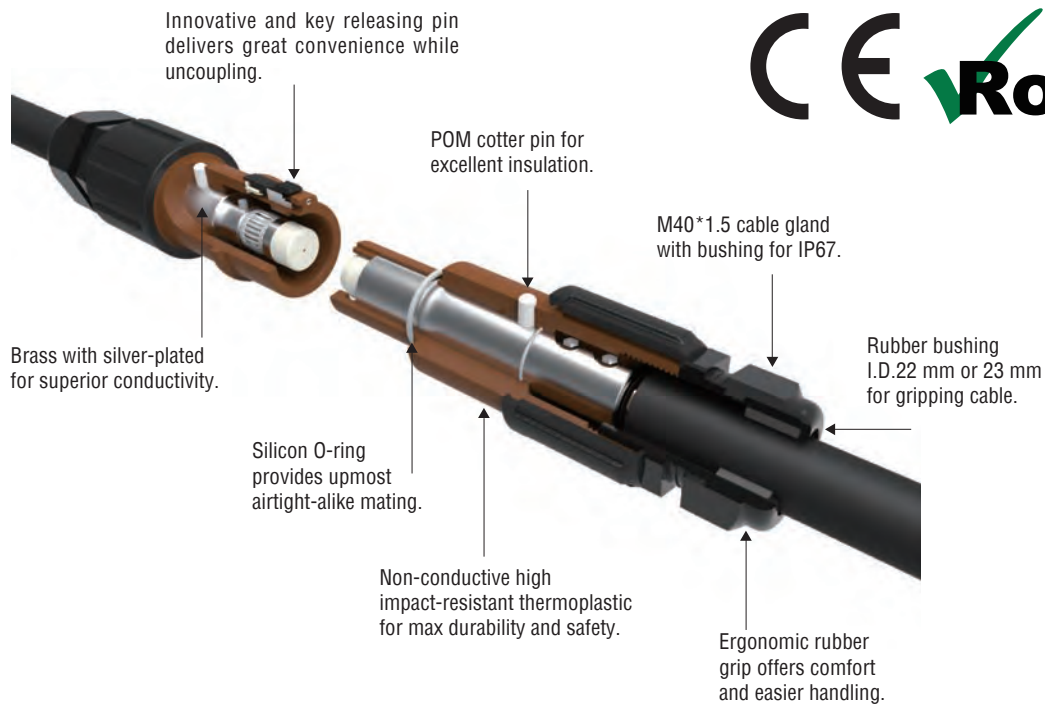
PowerFit is made in high standards. Full series employ high impact and temperature resistance thermoplastic, with flame retardant compound. Ergonomic rubber hand grip on each line connector provides the great comfort to the utility. The M40 cable gland comes standard and while connectors mated, it becomes IP67 rated. Unsurpassed pushing button design makes the handling of coupling and uncoupling easier. Respective phase and line information is clearly marked on the connectors for easy identification. The contact is made of brass with silver plated, providing excellent conductivity. Cotter pin is made of POM featuring great insulation, high stiffness, low friction and absorbent.

Technical Information

- Current Rating: 400A continuous with 120mmsq 660A continuous with 240mmsq cable.
- Withstanding Voltage: 1000Vac.
- Test Voltage: 4500Vac.
- Short Circuit Rating: Up to 35.5kA.
- Insulation Resistance: >5000 M Ohms at 500Vac.
- Working Temperature: 45 to 85 Degree C
- Contact Type: Set Screw.
- Set Screw Torque on Brass Contact: 10.5 N/meter (minimum required).
- Mating Cycle: 500
- Flammability: UL94-V0.
- CE and RoHS compliant.
- Contact Resistance: 0.1m Ohms.
- IP rating while mated: IP67.
- Contact Material: Brass with silver plated.
- Housing Material: High Impact Resistant Thermoplastic.
- Cotter Pin Material: POM.



YOUTUBE
POWERFIT 400A SINGLE POLE
POWER CONNECTOR



Innovative push-to-release design makes the uncoupling handy without additional tool. This can be dismantled through small slotted screwdriver if needed.



M40 cable gland comes with two rubber sleeves (I.D. 23mm and 33mm) for the greatest flexibility with fitting the cable.



R120 reduction sleeve made of brass with silver plated for accommodating up to dia. 16.50mm wire.



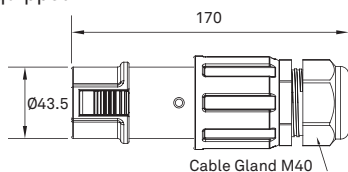
Comfort handling with superior & ergonomic rubber grip.



Shorter cotter pin for line source; longer one for line drain. For safety, never reuse cotter pin.

Line Source

- With a male contact, mating with Line Drain or Panel Drain.
- Innovative patent key-release pin for easy uncoupling without additional tool.
- Shorter POM cotter pin is equipped.



Features

- Ergonomic hand grip assists easier handling.
- Color coded and mechanically keyed to prevent mating errors.
- Contacts fitted with a plastic end cap to prevent accidental touching of live parts.
- IP 2X finger protection against electric shock.
- M40 cable gland is supplied with two rubber bushings, 23mm (I.D.) and 33mm (I.D.), for gripping cables up to 22-32mm diameter.
- R120 Reduction Sleeve, 16.50mm (I.D.) x 32mm(L), is included as standard for cable diameter 120mmsq; other size of sleeve is available upon request.

Never reuse cotter pin; reusing cotter pin might expose the operation to electrical danger.



PFLS-1BN-S120M40A Line 1



PFLS-2BK-S120M40A Line 2



PFLS-3GY-S120M40A Line 3



PFLS-NBL-S120M40A NEUTRAL



PFLS-EGN-S120M40A EARTH



PFLS-1R-S120M40A Line 1



PFLS-2W-S120M40A Line 2



PFLS-3BL-S120M40A Line 3



PFLS-NBK-S120M40A NEUTRAL

Type	Key Position	Color	Contact Type	Cable Gland
LS = Line Source	E = Earth	GN = Green	S120 = Set Screw 120mmsq for 400A	M40 x 1.5
	N = Neutral	BL = Blue	C240 = 240mmsq Crimp for 660A	
	1 = Line 1	BN = Brown		
	2 = Line 2	BK = Black		
	3 = Line 3	GY = Grey		
		R = Red		
		Y = Yellow		
		W = White		

PowerFit with separated release key (L type)

Powerfit with separated release key is also available. Item number for each line source with separated key release will find “L” in the suffix.



PFLS-NBL-S120M40A-L

400A Line Source, Neutral, with separated key release design.

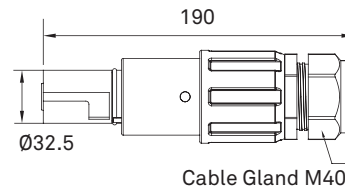


PF-LOCK

Release Key for PowerFit Line Source & Panel Source (L type).

Line Drain

- With a female contact, mating with Line Source or Panel Source.
- Secondary spring pin engages with a slot of source connector to prevent the connector from being uncoupled.
- Longer POM cotter pin is equipped



Features

- Ergonomic hand grip assists easier handling.
- Color coded and mechanically keyed to prevent mating errors.
- Contacts fitted with a plastic end cap to prevent accidental touching of live parts.
- IP 2X finger protection against electric shock.

- M40 cable gland is supplied with two rubber bushings, 23mm (I.D.) and 33mm (I.D.), for gripping cables up to 22-32mm diameter.
- R120 Reduction Sleeve, 16.50mm (I.D.) x 32mm(L), is included as standard for cable diameter 120mmsq; other size of sleeve is available upon request.

Never reuse cotter pin; reusing cotter pin might expose the operation to electrical danger.



PFLD-1BN-S120M40A Line 1



PFLD-2BK-S120M40A Line 2



PFLD-3GY-S120M40A Line 3



PFLD-NBL-S120M40A NEUTRAL



PFLD-EGN-S120M40A EARTH



PFLD-1R-S120M40A Line 1



PFLD-2W-S120M40A Line 2



PFLD-3BL-S120M40A Line 3

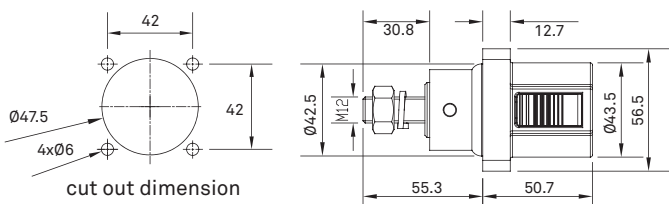


PFLD-NBK-S120M40A NEUTRAL

Type	Key Position	Color	Contact Type	Cable Gland
LD = Line Drain	E = Earth	GN = Green	S120 = Set Screw 120mmsq for 400A	M40 x 1.5
LS = Line Source	N = Neutral	BL = Blue	C240 = 240mmsq Crimp for 660A	
	1 = Line 1	BN = Brown		
	2 = Line 2	BK = Black		
	3 = Line 3	GY = Grey		
		R = Red		
		Y = Yellow		
		W = White		

Panel Source

- With a male contact, mating with Line Drain.
- Secondary spring pin engages with a slot of source connector to prevent the connector from being uncoupled.



Features

- With a male contact, mates with Line Drain.
- Supplied with M12 threaded post with brass nut and spring washer for cable attachment.
- Color coded and mechanically keyed to prevent mating errors.
- Contacts fitted with a plastic end cap to prevent accidental touching of live parts.
- IP 2X finger protection against electric shock.
- 4 x dia. 5.5mm fixing holes on the flange.

Never reuse cotter pin; reusing cotter pin might expose the operation to electrical danger.



PFPS-1BN Line 1



PFPS-2BK Line 2



PFPS-3GY Line 3



PFPS-NBL NEUTRAL



PFPS-EGN EARTH



PFPS-1R Line 1



PFPS-2W Line 2



PFPS-3BL Line 3



PFPS-NBK NEUTRAL

Type	Key Position	Color	Contact Type
PD = Panel Drain	E = Earth	GN = Green	T6 = M12 threaded post 660A
PS = Panel Source	N = Neutral	BL = Blue	
	1 = Line 1	BN = Brown	
	2 = Line 2	BK = Black	
	3 = Line 3	GY = Grey	
		R = Red	
		Y = Yellow	
		W = White	

PowerFit with separated release key (L type)

Powerfit with separated release key is also available. Item number for each panel source with separated key release will find "L" in the suffix.



PFPS-NBL-L

400A Panel Source, Neutral, with separated key release design.

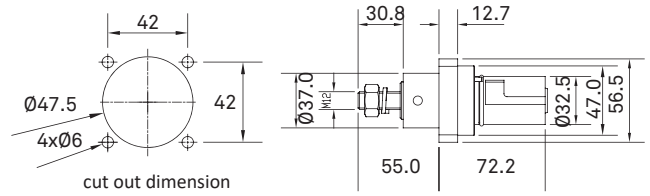


PF-LOCK

Release Key for PowerFit Line Source & Panel Source (L type).

Panel Drain

- With a female contact, mating with Line Source.
- Innovative patent key-release pin for easy uncoupling without additional tool.



Features

- With a female contact, mates with Line Source.
- Supplied with M12 threaded post with brass nut and spring washer for cable attachment.
- Color coded and mechanically keyed to prevent mating errors.
- Contacts fitted with a plastic end cap to prevent accidental touching of live parts.
- IP 2X finger protection against electric shock.
- 4 x dia. 5.5mm fixing holes on the flange.

Never reuse cotter pin; reusing cotter pin might expose the operation to electrical danger.



PFPD-1BN Line 1



PFPD-2BK Line 2



PFPD-3GY Line 3



PFPD-NBL NEUTRAL



PFPD-EGN EARTH



PFPD-1R Line 1



PFPD-2W Line 2



PFPD-3BL Line 3



PFPD-NBK NEUTRAL

POWERFIT Weatherproof Protective Cover

Protects exposed metal, keeps weather out when connectors are not mated.

The PowerFit weatherproof protective cover is made of transparent polycarbonate, which is known for its toughness and durability. Allow for see-through visual identification, and designed to fit all compatible brands of connectors, regardless of the phase. This universal key design eliminates the need for multiple cap versions for different connectors, resulting in easier management and reduced investment in maintaining a diverse stock assortment. All covers have a metal cord lanyard for securing to their parent connector.



PF-DCT-M
FOR PANEL SOURCE CONNECTOR



PF-DCT-F
FOR PANEL DRAIN CONNECTOR

K-LOK 400A Single Pole Connector

Kupo manufactures the highest quality single pole connectors available. Kupo cam-type connector has a superior non-conductive retaining screw that passed through the entire contact for superior durability. These single pole connectors have been designed with ease of assembly and disassembly in mind, no special tools are required. K-LOK series connectors mate with compatible CAM products.

Technical Information

Voltage Rating	600V Maximum	Contact Material	Brass
Amperage Rating	400A Maximum	Terminal Accommodation	#6, #4, #2, 2/0, 4/0 (Longer set screw required for #6 & #4)
Base Compound	Santoprene 105 °C rated	Retaining Pin Material	POM



YOUTUBE
K-LOK 400A SINGLE
POLE CONNECTOR



Wide range cable access form 0.33" to 1"



Double set screw terminations



To fit smaller sizes of cable, the brass contact can be made with two smaller dimensions of cable-accessing hole upon request as following :

1. Dia. 16.90 mm (Large hole; standard K-LOK)
2. Dia. 14.60 mm (Medium hole; upon request)
3. Dia. 10.40 mm (Small hole; upon request)



KL-400-BS Retaining Pin
Retaining pin for 400A K-LOK



KL-400LMBK Line Male



KL-400LMR Line Male



KL-400LMB Line Male



KL-400LMW Line Male



KL-400LMG Line Male



KL-400LMBN Line Male



KL-400LMGY Line Male



KL-400LMO Line Male



KL-400LMY Line Male



KL-400LFBK Line Female



KL-400LFR Line Female



KL-400LFB Line Female



KL-400LFW Line Female



KL-400LFG Line Female



KL-400LFBN Line Female



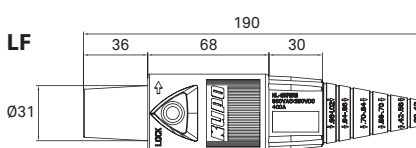
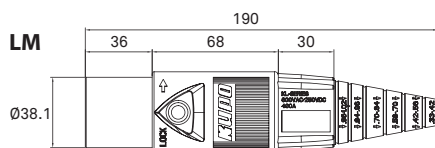
KL-400LFGY Line Female



KL-400LFO Line Female

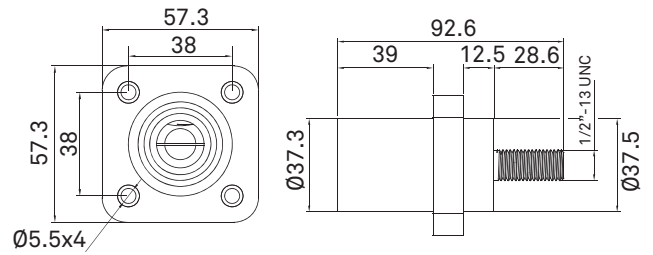


KL-400LFY Line Female





SM

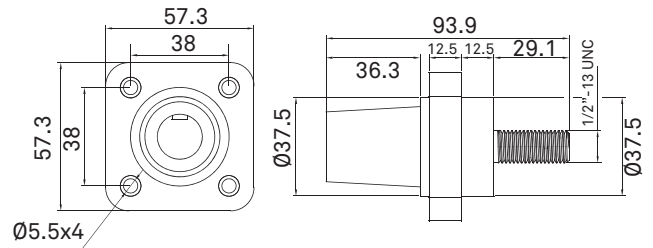


KL-400SM **BK** **R** **B** **W** **G** **BN** **GY** **Y** **O**

Panel Male



SF

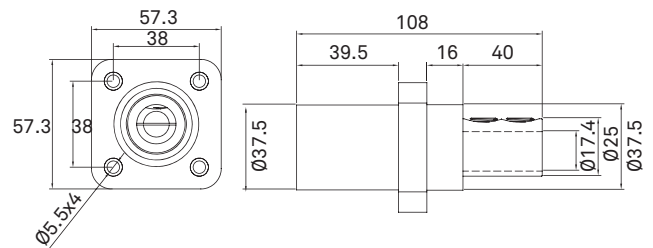


KL-400SF **BK** **R** **B** **W** **G** **BN** **GY** **Y** **O**

Panel Female



SSM

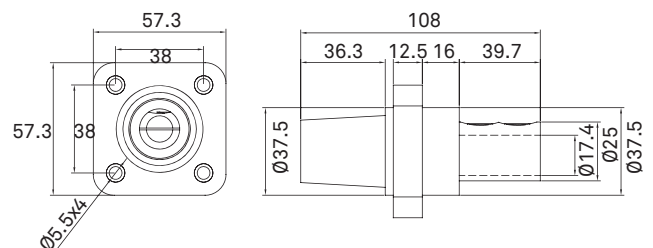


KL-400SSM **BK** **R** **B** **W** **G**

Receptacle Male (Double Set Screw Type)



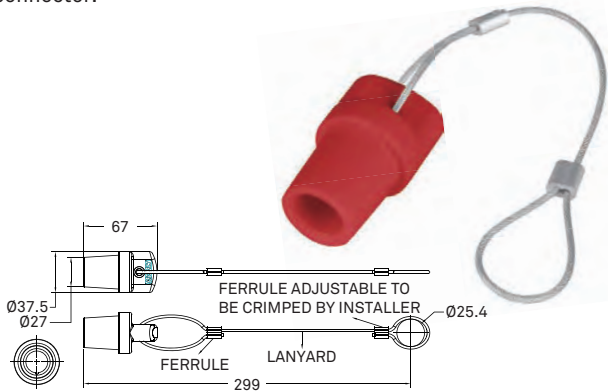
SSF



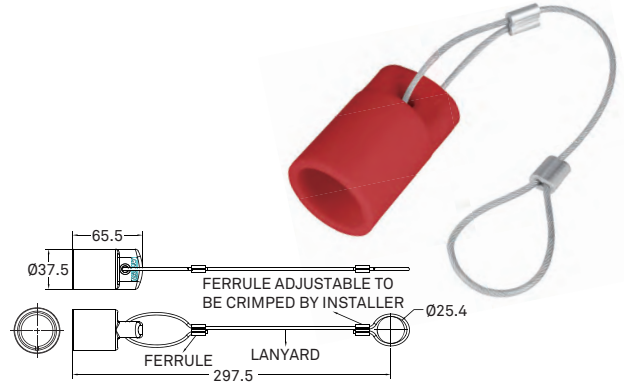
KL-400SSF **BK** **R** **B** **W** **G**

Receptacle Female (Double Set Screw Type)

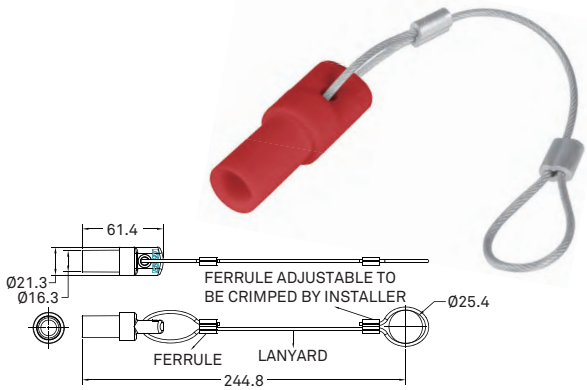
Available in both inline male and female variants, K-LOK Protective Cap is designed to seamlessly complement your cam-type connectors, ensuring a secure fit to meet NEMA 3R rating and safeguarding against dust, debris, and environmental elements. Crafted from high-quality Santoprene, the same durable material utilized in 400A & 150A connectors, this product guarantees exceptional reliability and longevity. Each cap comes equipped with a convenient lanyard for effortless attachment. Offered in a variety of colors to match the aesthetics of inline connector.



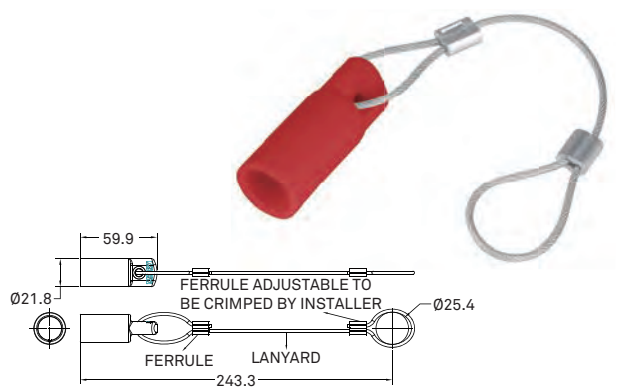
BN GY Y O
KL-40MPC BK R B W G
 For 400A inline male connector



BN GY Y O
KL-40FPC BK R B W G
 For 400A inline female connector

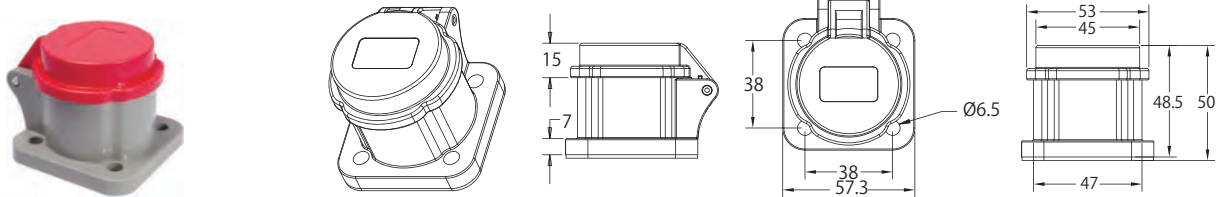


KL-15MPC BK R B W G BN GY
 For 150A inline male connector



KL-15FPC BK R B W G BN GY
 For 150A inline female connector

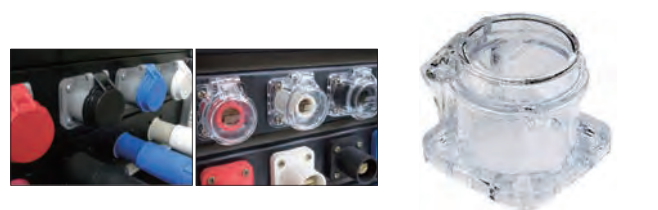
Weatherproof snap back protective cover to fit all compatible brands of 400A cam type receptacles. Standard frame dimension allows retrofit existing application easily. The gasket offers a NEMA 3R rated environmental seal that provides a protection against falling rain, dust or frost, and also provides a safe way to cover exposed metal, while keeping the weather out when the receptacle is not used. Kupo Dust Cover is made from a high impact resistant, flame retardant ABS material and corrosion resistant stainless steel hardware. Five colors available for phase identification.



KL-DC BK R B W G BN GY Y O
 For 400A Cam-Type Receptacle



KL-DC BK R B W G BN GY Y O 2
 For 150A Cam-Type Receptacle



KL-DCT
 K-LOK Clear Dust Cover For 400A Cam-Type Receptacle
 Clear Dust Cover (KL-DCT) is made of polycarbonate, a tough and durable plastic. It is totally transparent and features see-through visual identification. Assembled with stainless steel hardware but no gasket is supplied.

400A Single Pole Distribution Box

Power distribution box for 400A single pole connector. Equipped with sturdy PA plastic box, this distro block is durable with most portability. It comes with 1-Male 400A and 6-Female 400A panel mount connector. Dust cover is outfitted on all inlet and outlet offering greatest protection. Available with 7 colors of 400A connectors.



PDB-P16400BK



PDB-P16400R



PDB-P16400B



PDB-P16400W



PDB-P16400G



PDB-P16400BN



PDB-P16400GY



YOUTUBE
KUPO PORTABLE POWER
DISTRIBUTION BOXES

400A Single Pole Tapping T Connector

Inline adaptor in form of Male -Female-Female. Consist of Santoprene insulation sleeve and brass contact. Rated for max. 400Amp / 600Volts. Compatible with major brands of cam type connectors. Available with blue, red, black, white and green.



KL-400MFFBK



KL-400MFFR



KL-400MFFB



KL-400MFFW



KL-400MFFG

400A Single Pole Molded Three-Fer

Inline adaptor in form of Male-Female-Female-Female. Three female output connectors molded with 3 feet 4/0 cable to one male input connector. Rated for max. 400Amp / 600Volts. Compatible with major brands of cam type connectors. Available with blue, red, black, white and green.



KL-400MM3FBK



KL-400MM3FR



KL-400MM3FB



KL-400MM3FW



KL-400MM3FG



KL-400M3FBK



KL-400M3FR



KL-400M3FB



KL-400M3FW



KL-400M3FG

Made of rubber cubic box featuring sturdy and robust housing. This range of distro boxes are fabricated with cUL-listed 400A K-LOK and 150A K-LOK receptacles, as well as CE-approval 400A PowerFit receptacles. The boxes are made as Three-Fer, one power input and three outlets, for the greatest electric utility. Boxes with K-LOK connectors comes with color-coded duct cover to get the protection again moisture and dust. Available in full electrical color code range in USA and Europe. Fully insulated, flame-retarded and UV resistant.

400A K-LOK Rubber Cubic Power Distro Box



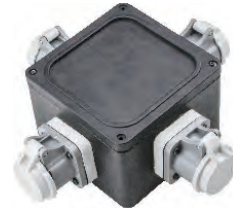
PDB-C1301BK



PDB-C1301R



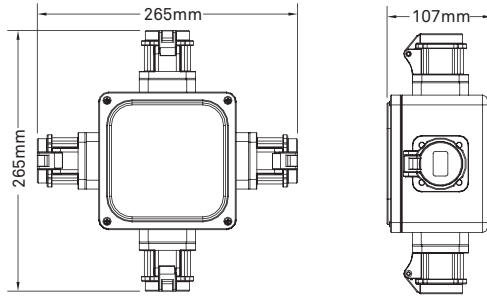
PDB-C1301B



PDB-C1301W



PDB-C1301G



150A K-LOK Rubber Cubic Power Distro Box



PDB-C1302BK



PDB-C1302R



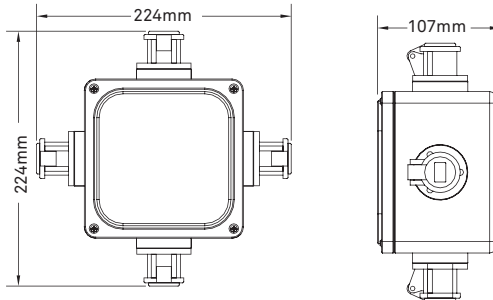
PDB-C1302B



PDB-C1302W



PDB-C1302G



400A Powerfit Rubber Cubic Power Distro Box



PDB-C1303BN



PDB-C1303BK



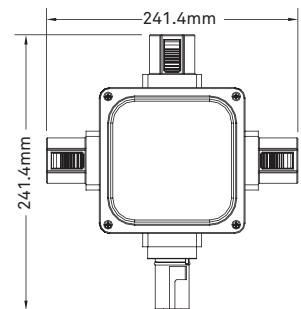
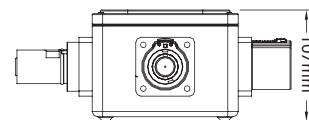
PDB-C1303GY



PDB-C1303B



PDB-C1303G



K-LOK 150A Single Pole Connector (Mini-Cam)

Mini-Cam is a series of 150 Amp light duty single pole connector in addition to heavy duty 400 Amp ones. Like its heavy duty family members, Mini-Cam is also constructed of Santoprene, possessing a superior performance in insulation. With enhanced features on safety designs and wider range of cable accommodation, Mini-Cam is the ideal and reliable connector for your own job.

Technical Information

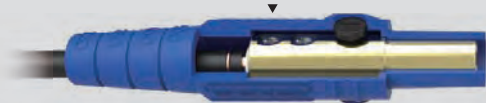
Voltage Rating	600V Maximum	Contact Material	Brass
Amperage Rating	150A Maximum	Terminal Accommodation	#8, #6, #4, #2
Base Compound	Santoprene 105 °C rated	Retaining Pin Material	POM

Features

1. Cable accommodation from #8 AWG to #2 AWG (for cable outside diameter up to 13.60 mm).
2. POM (Polyformaldehyde) ring is two times longer than others for fully encompassing the brass contact for excellent insulation.
3. Housing with large ribs for comfort gripping; prolonged body helps user to hold it firmly.
4. Two additional longer set screws are supplied for maximum flexibility when smaller cable is used.
5. Compatible with other brands of 150A cam-type connector.
6. UL/CUL Certified



Double set screws for cable firmly sit in the position; additional longer set screws are supplied for mating smaller cable.



Boot made of UV-resistant Santoprene, providing excellent protection. Safer and durable.



Cable cut-off identification clearly engraved on the boot.



The tension hole at rear side of split contact retains the contact from over pressed, so as to prevent the loose mating after several time of uses.



KL-150-BS Retaining Pin
Retaining pin for 150A K-LOK



KL-150LMBK Line Male



KL-150LMR Line Male



KL-150LMB Line Male



KL-150LMW Line Male



KL-150LMG Line Male



KL-150LMBN Line Male



KL-150LMGY Line Male



KL-150LFBK Line Female



KL-150LFR Line Female



KL-150LFB Line Female



KL-150LFW Line Female



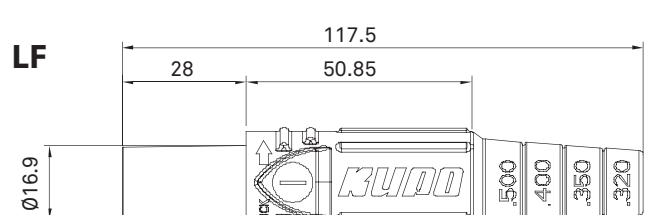
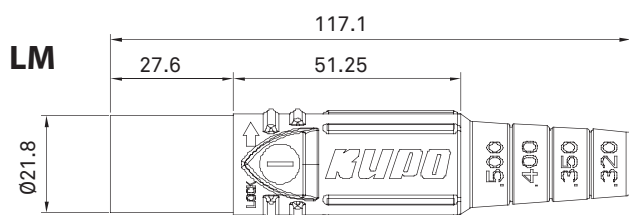
KL-150LFG Line Female



KL-150LFBN Line Female



KL-150LFGY Line Female





KL-150SMBK
Receptacle Male (Thread Stud Type)



KL-150SMR
Receptacle Male (Thread Stud Type)



KL-150SMB
Receptacle Male (Thread Stud Type)



KL-150SMW
Receptacle Male (Thread Stud Type)



KL-150SMG
Receptacle Male (Thread Stud Type)



KL-150SMBN
Receptacle Male (Thread Stud Type)



KL-150SMGY
Receptacle Male (Thread Stud Type)



KL-150SFBK
Receptacle Female (Thread Stud Type)



KL-150SFR
Receptacle Female (Thread Stud Type)



KL-150SFB
Receptacle Female (Thread Stud Type)



KL-150SFW
Receptacle Female (Thread Stud Type)



KL-150SFG
Receptacle Female (Thread Stud Type)

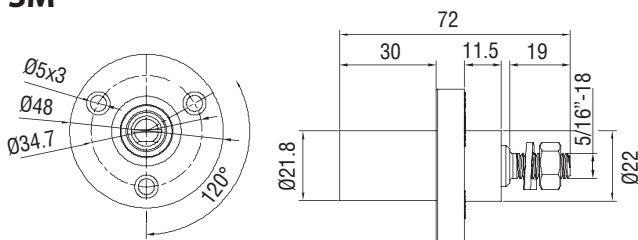


KL-150SFBN
Receptacle Female (Thread Stud Type)

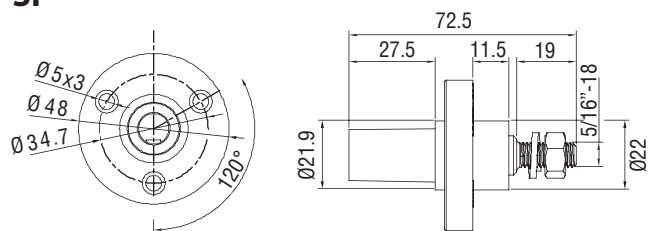


KL-150SFGY
Receptacle Female (Thread Stud Type)

SM



SF



PLS 19-Pin Connector Series

Features

1. Rugged die-casted aluminum alloy shells, with black non-conductive finish, making cable assembly most convenient with two-shell design.
2. Hard gold-plated copper alloy machined contact, for both solder and crimp type, ensures the excellent conductivity.
3. Non-conductive first grade Bakelite (Neoprene for crimp type) provides greatest insulation.
4. Integral-compressed strain relief handles wide range of cable sizes.
5. Extended ground contact at female side ensures "mate first, break last" for safety operation.
6. Compatible with Socapex "419" and Veam "VSC" connectors.
7. Feasible for PG29 cable gland.
8. Crimp contacts are available for purchase separately.
9. UL / cUL and CE listed.

Technical Information

Rated Current: AC 20A 250V
 Operating Limit Voltage: AC 400V
 Insulation Resistance: > 2000M Ohms
 Contact Resistance: < 3m Ohms

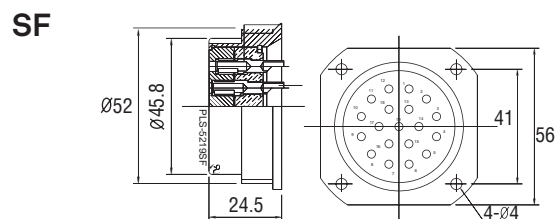
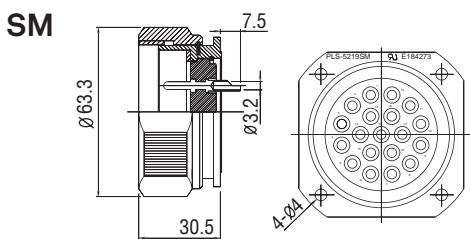
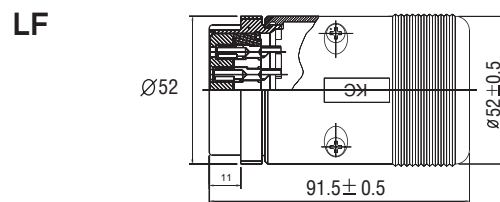
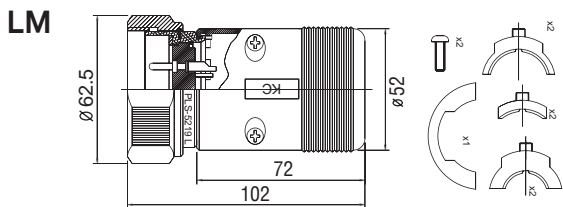
Rated Voltage: AC 1500V
 Terminal Wear: 5000+ connection
 Hipot Test: 1800 VAC / Min.
 Operating Temperature: -40°C to 85°C



Solder Type

Crimp Type

YOUTUBE
KUPO 19-PIN CONNECTOR
FT. PLS SERIES





PLS-5219CPM

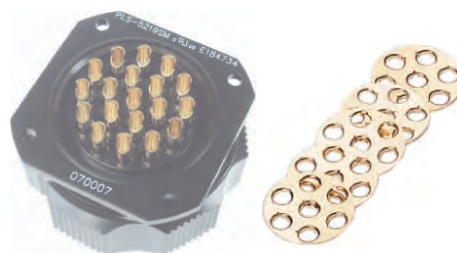
Crimp Male Contact

PLS-5219CPFE

Crimp Female Earth Contact

PLS-5219CPF

Crimp Female Contact



PLS-5219GDSK

Ground disk to buss together the six ground contacts (solder connectors only).



Cable gland only, 19-Pin connector is not included.

PLS-5219CBGD

Strain Relief directly coupling into thread housing (PG29).



M2250/1-01

Crimp Tool.



DC-M(BIG)

Rubber dust cover with wire for line male connector.



DC-F

Rubber dust cover with wire for line female connector.



MC-M

Metal dust cover with wire for line male connector.



MC-F

Metal dust cover with wire for line female connector.

Kupo cable grip is designed for PG29 thread 19-pin connectors. It is for cable enclosure to prevent pullout from tension, vibration, flexure or motion. Fabricated of stainless steel wire mesh weaves and aluminum alloy fittings provide easy installation bending control plus corrosion resistance. Grips with knurled texture on the fitting for excellent handling, and neoprene bushing offers watertight and dustproof protection. Support grip is weaved of dia. 1.2 mm stainless steel wire for load capacity 60 kgs.



PLS-CG18 Cable Grip

Cable grip for 18C x 1.5 mmsq cable (or O.D. 18 mm cable).

PLS-CG21 Cable Grip

Cable grip for 18C x 2.5 mmsq cable (or O.D. 21 mm cable).



PLS-SG21 Support Grip

Support Grip, feasible for O.D. 18-21 mm cable.

WPC 19-Pin Connector Series

Features

1. Mono-piece body is fabricated of rigid die-casted aluminum alloy, offering alternative choice for weather-oriented applications.
2. Watertight (IP67) is achieved with a cable gland (FPG-42) affixed to the cable entry point. The FPG-42 comes with RI-23, other rubber bushings size are available upon request.
3. Compatible with Kupo's PLS and WPS series, as well as Socapex 419 and Veam VSC connectors.
4. Hard gold-plated copper alloy machined contact, ensures the excellent conductivity.
5. Non-conductive first grade Bakelite provides great insulation.
6. Extended ground contact at female side ensures "mate first, break last" for safety operation.
7. Available in solder type only.
8. UL / cUL and CE listed.

WPC Contact Pin Outstanding Feature

1. Military grade craftsmanship with precisely-machined fabrication.
2. High conductive copper alloy with 24K gold plated.
3. Advanced split design for female contact, with greater mating area and less resistance.

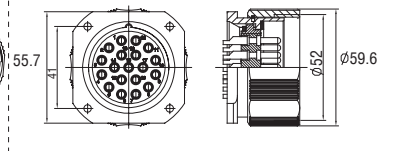
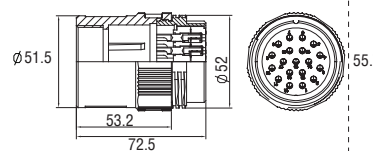
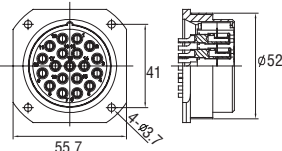
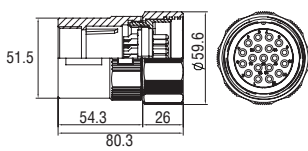


WPC-5219LF + FPG-42

WPC-5219SM

WPC-5219LM + FPG-42

WPC-5219SF



LF

SM

LM

SF

WPS 19-Pin Connector Series

Features

1. Machined alloy aluminum with heavy ribbed locking ring provides easy manual operation; mono-piece body for IP67 watertight while assembled with cable gland.
2. Inline locking thread are Teflon-coated to make coupling and uncoupling smoother.
3. Back shell with hard anodized finish avoids surface scratch.
4. Compatible with Kupo PLS and WPC, Socapex 419, and Veam VSC series.
5. Hard gold-plated contact in solder and crimp type; extended female ground contact allows "mate first, break last" safety operation.
6. FPG-42 (CG-35 cable gland + rubber sleeve) provides waterproof seal at the cable entry point; rubber sleeve is available in three different sizes.
7. UL / cUL listed.



Solder Type

Crimp Type

WPS-5219LM

WPS-5219LFC

WPS-5219SMC

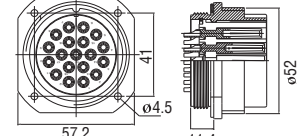
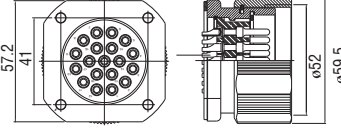
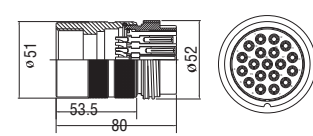
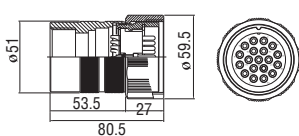
WPS-5219LMC

WPS-5219LF

WPS-5219SM

WPS-5219SFC

WPS-5219SF

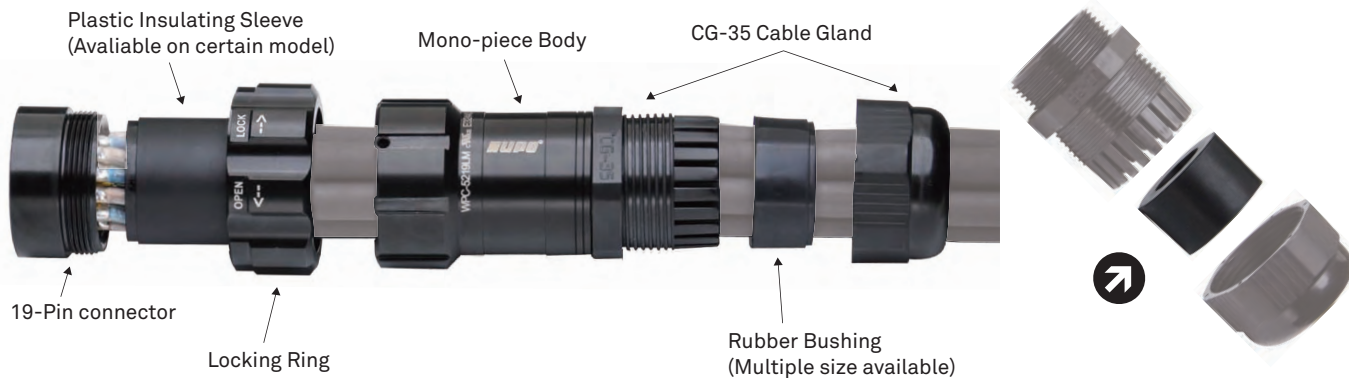


LM

LF

SM

SF



Rubber Bushing

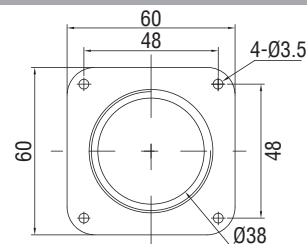
CG-35 Cable Gland optional with Ø 17, 23, 28.9 mm and break-out changeable rubber sleeve.



RI-17.1	feasible for 18/1.5mmsq cable, or cable's OD up to 17.10 mm
RI-23	feasible for 18/2.5mmsq cable, or cable's OD up to 23.00 mm
RI-25	feasible for cable's OD up to 25.00 mm
RI-28.9	feasible for cable's OD up to 28.90 mm
RI-30	feasible for cable's OD up to 30.00 mm
RI-32	feasible for cable's OD up to 32.00 mm
RI-35	feasible for cable's OD up to 35.00 mm
RI-37.5	feasible for cable's OD up to 37.50 mm



WPS-52-CLM
Cross Bar Cable Clamp



WPS-ADP-CLM

adapter for use with WPS-52-CLM or Cable grip thread inside.

WPS-ADPP-CLM

Panel Type adapter for use with WPS-52-CLM or Cable grip thread inside.

Tool for 19-Pin Connector

WPC-5219ST and WPC-5219SY 19-PIN TOOL

Two practical tools designed for saving the pain of unscrewed-backshell while mating or unmating mono-piece connectors.



WPC-5219ST

- A) Fit to major brand 19 pin mono-piece connector.
- B) Avoid accidental unscrew of the backshell while coupling or uncoupling.



WPC-5219SY



Coupling with female inline connector.



Infixed rubber ring protects inline female connector.



Coupling with male inline connector.



Clear indication for operation.



WPC-5219ST and WPC-5219SY spanners helps with tightening the connector.

Dr. Harting and Dr. Soca are both a bi-function tester, diagnosing wiring on 19pin Soca or Multipole (Letriflex/Harting) extension cable as well as load / lamp status on lighting bar. The LCD reads real-time testing result by pin-to-pin scanning. Any missing or error on each pin, including swap, short or open, will display on LCD screen clearly. Instruction is also laser engraved on main chassis for better understanding.

Press "RUN" button to navigate and command the tester. Simple and easy. Auto sense to switch the mode. Powered by 4 x 1.5V AAA battery or external 5-18V adaptor. Automatically switching off while idle over 100 seconds to save energy. Equipped with unthreaded 19pin connectors or uncovered Multipole for easily access with extension cable. Dr. Harting and Dr. Soca are built up with sturdy aluminum alloy chassis featuring light weight and compact. They can also be bolted to a work bench, helping up with cable testing while working on cable assembly.



Threadless 19-Pin connector provides a swift and convenient plug-and-play.



YOUTUBE
DR.SOCA
19PIN TESTER

DR-H16 Dr. Harting

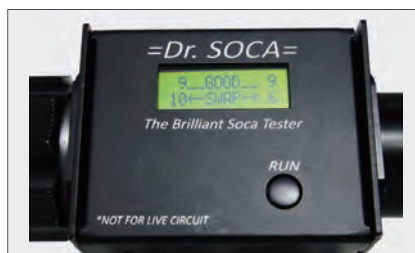
Dr. Harting tester for Multipole (Letriflex) 16pin connector.

DR-S19 Dr. Soca

Dr. Soca tester for Soca 19pin connector.



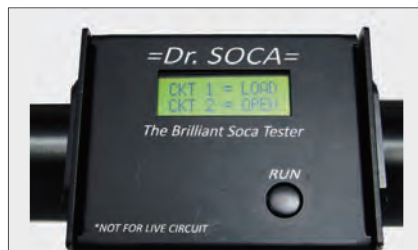
Cable Testing Mode



Real-Time Cable Test Result



Lamp / Load Testing Mode



Real-Time Load Test Result



DR.Soca can be used either with DC/5-18V Adaptor.



DR.Soca can be used either with 4 x AA Battery.



Roomy slot for hand-carry.



Other than cable tester, it also conduct lamp/load testing.



Bolted to a work bench without movement for better cable testing job.

Kupo 19-pin cable tester is a handy gadget for quick cable checking. It is made of classic PLS connector so it can be used to check any 19-pin extension cable built up with major brands of Soca connectors. Plug it up with cable set and it will check out the circuit status immediately. There builds up a rotary switch with 6 LEDs in female connector to indicate the status of each channel; select by channel to identify the wiring status on each channel. Red LED will light up if there is any wrong wiring.



YOUTUBE
KUPO 19-PIN
CABLE TESTER

Threadless 19-Pin connector provides a swift and convenient plug-and-play.



PLS-5219IDTR-M

ID Cable Tester, Male

PLS-5219IDTR-F

ID Cable Tester, Female

PLS-5219IDTR-PAIR

for one set (Male+Female)



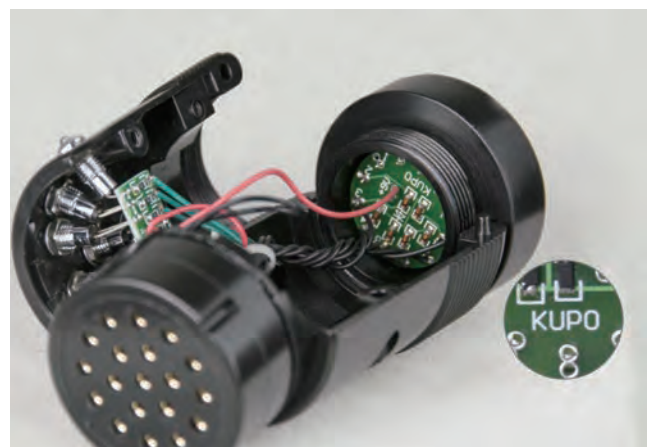
Portable and for testing cable set.



Brighter LED yet less battery energy consumption.



Buzzer will be triggered whilst there is any short circuit in between grounding and live circuit.



All electronic components are mounted on the PCBs and properly wired in between.

KUPO Multi-Pin Connectors, a reliable and versatile solution for various industrial applications, offer a rated voltage range of 400V-600V, meeting UL and CSA standards. The advantages of industrial connectors, such as their ruggedness, withstand frequent setup and teardown, and ability to handle high voltage, make them ideal for the demanding conditions of the entertainment industry.

In the entertainment sector, the 10 and 16 contact options are widely utilized, while additional contact configurations can be accommodated upon request.



PBA16-1X (PG16)
PBA21-1X (PG21)
 Brass Cable Gland
 (optional accessory)

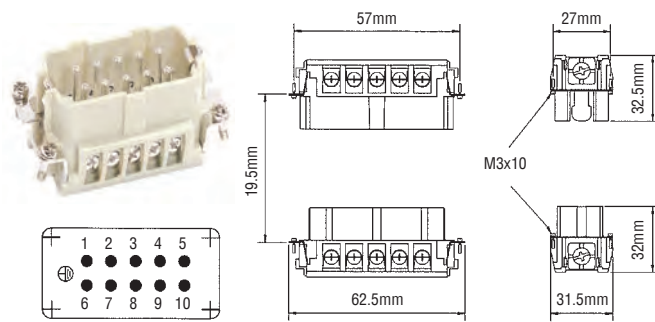


◀ Hood

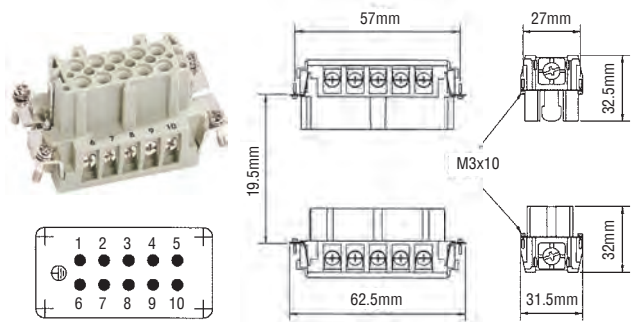
◀ Plug Insert

◀ Socket Insert

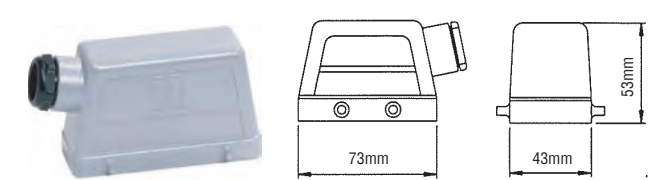
◀ Housing



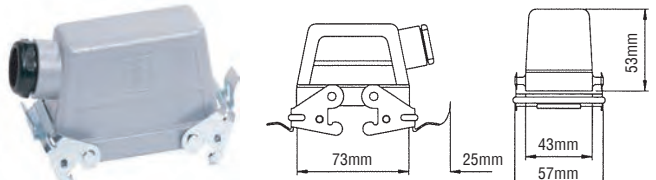
KM10M 10 Pin Plug Insert



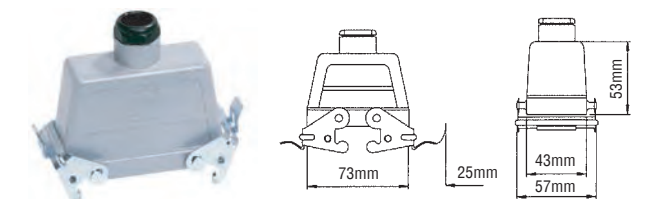
KM10F 10 Pin Socket Insert



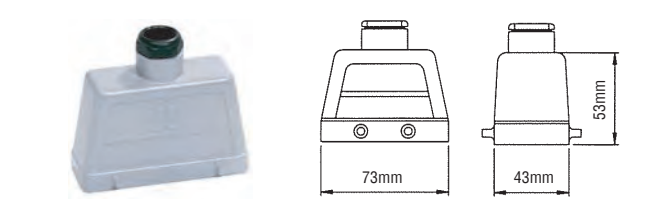
KM10H1 (PG16) Hood



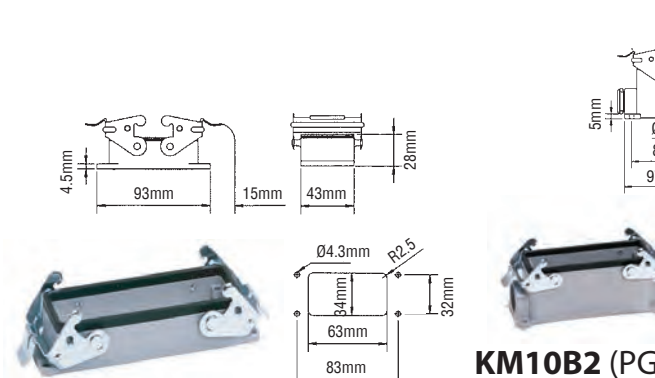
KM10H5 (PG16) Hood



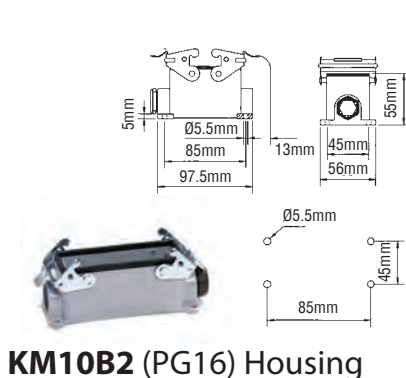
KM10U5 (PG16) Hood



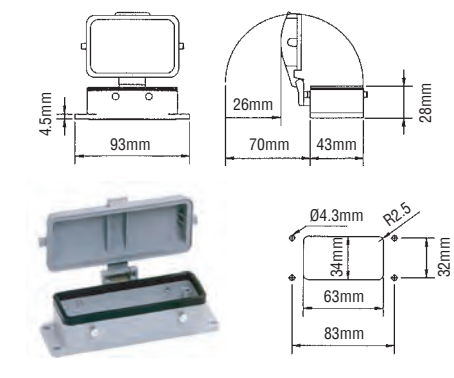
KM10U1 (PG16) Hood



KM10B1 Housing



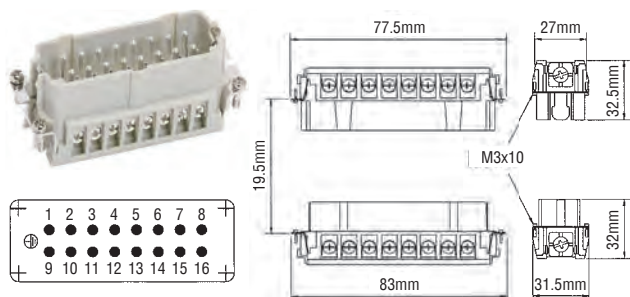
KM10B2 (PG16) Housing Closed Bottom



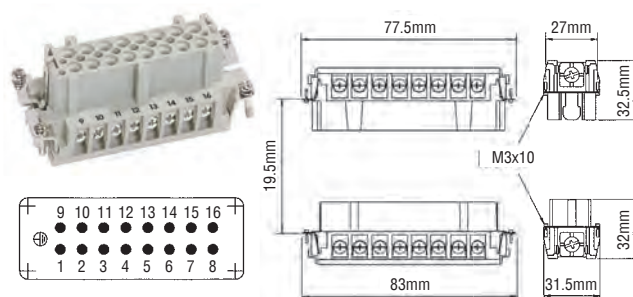
KM10BC5 Housing with Cover

Specification

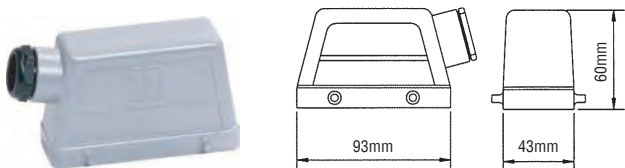
- Number of Contacts: 10, 16 (contact us for more info. of other contacts).
- Rated Voltage: 400V-600V, according to UL, CSA.
- Die Electric: 3KV/ 1Min.
- Volume Resistance: 1M/ 0hm.
- Temperature Range: -40~ +125 degree C.
- Protection Category: KM 06-KM48, IP65 when mated.
- Cross Section: 0.5-2.5 mmsq.
- Terminal Screws: steel M3 nickel plated.
- Protective Cover: KM06-KM24 Nylon 66. V-0; KM32-KM48 Aluminum.
- Die-Casting Alloy.
- Plug and Socket Insert: glass-fiber reinforced polycarbonate V-0.
- Contact Elements: copper alloy.
- Contact Surfaces: hard-silver plated.
- Earth Connector Part: brass nickel plated.
- Locking Levers: steel zinc plated.
- Pressing Lock-Nut: nylon 66. V-0.
- Gaskets: Neoprene (resistant to oil and aging).
- Hood and Housing: aluminum die-casting alloy.



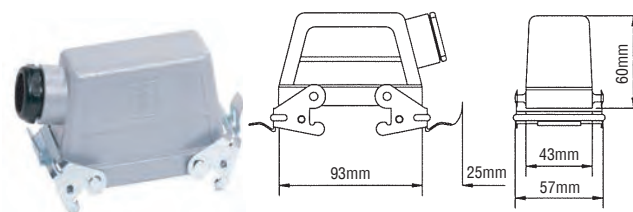
KM16M 16 Pin Plug Insert



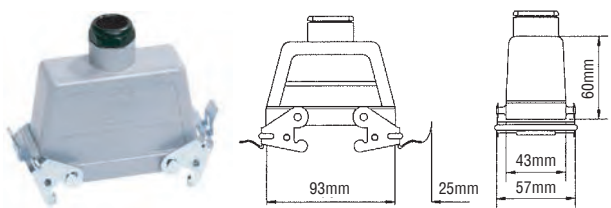
KM16F 16 Pin Socket Insert



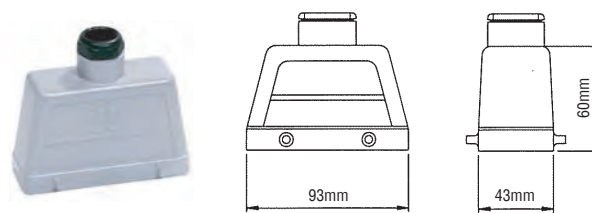
KM16H1 (PG21) Hood



KM16H5 (PG21) Hood



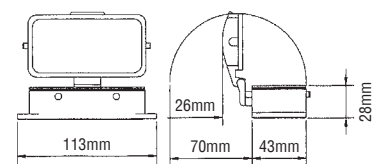
KM16U5 (PG21) Hood



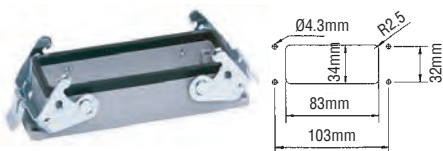
KM16U1 (PG21) Hood



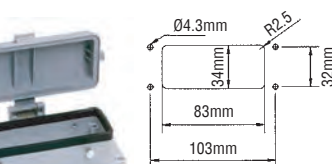
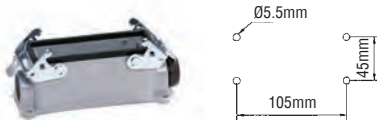
KM16B2 (PG21) Housing Closed Bottom



KM16BC5 Housing with Cover



KM16B1 Housing



KC 7-Pin Motor Cable Connector

Kupo PLS-4207 multiple connectors are often applied to combine chain hoist power and control cable as one. It makes a safe, compact and quick setup rigging. Two rugged die cast aluminum alloy half shells in black non-conductive finish for easy cable assembly. Hard gold plated contacts in soldering version and fully compatible with Socapex SL37 family. The extended female ground contacts allow mating first / breaking last.

Electrical Characteristics

- Rated Current/voltage: 6 x 25A + 1 x 50A 250V
- Operation Limit Voltage (AC. V. Rms): 250
- Withstanding Voltage (AC. V. Rms): 2000
- Insulation Resistance (MΩMin) at DC 500V: 2000
- Contact Resistance (MΩMin) at DC 1A: 3
- Number Of Contacts: 7 Contacts: - 6 x 12AWG + 1 x 8AWG
- Operating Temperature: -40 + 85°C
- Hipot Test: 1800 VAC / min
- Terminal Wear: 5000 + Connections

Pin-out for 7pin Motor Connector: (according to ANSI / E1.6-4 2022)

- 1 = L1
- 2 = L2
- 3 = L3
- 4 = MOTOR UP
- 5 = GROUND
- 6 = MOTOR COMMON
- 7 = MOTOR DOWN

Important Note

There is no industry standard wiring for chain hoist using 7pin connector. Since mixing gear from different suppliers is a common practice, you should always double check the equipment and not assume the wiring is correct or has been changed. 7-pin connectors carry power and control together and there is a potential for harming the equipment or the operator if the wiring configuration is not confirmed.



PLS-4207LM

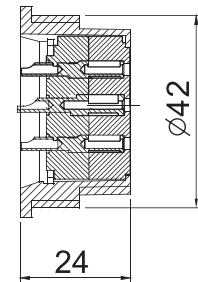


PLS-4207LF



PLS-4207SF

SF



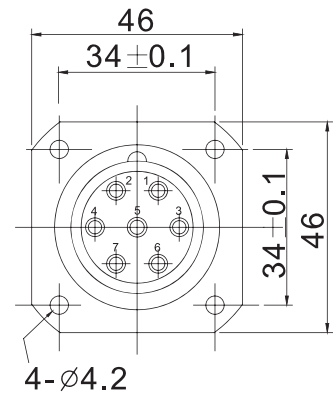
The reinforced locating tab on insert disk and keyway offer a spinning resistance.



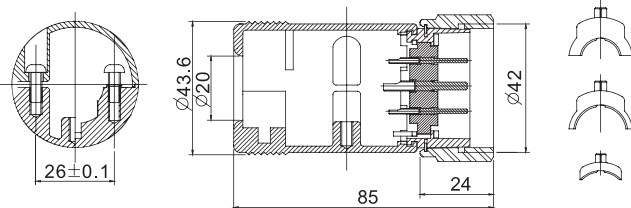
Casting shell inside with a body grounding boss guarantees full safety.



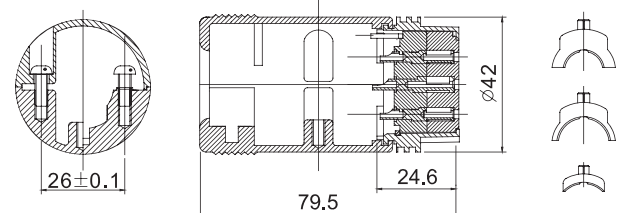
The standard line connectors come with 3 different size compression strain reliefs.



LM



LF



Head-to-ballast Connector

The KUPO HB connectors' range is designed to meet the needs of head to ballast connections. HB series cover the range of power from 575W to 18KW used by Arri.

Features

1. Compatible with Veam CIR connectors.
2. Machined aluminum bodies with ribbed coupling ring to provide easy manual coupling and uncoupling.
3. Back-shell with scratch resistant and black anodized.
4. Back-shell and cable clamps to fit different cable O.D.
5. Waterproof to IP67.
6. The grip rubber on locking ring.

We keep all the models in stock for inline male and female assembly. WPC-2407 series are available in different key position arrangement for various lighting fixtures, WPC-2806 & WPC-2809 series are only for 6K-18K Arri lights.

WPC-2407LMG



WPC-2407LFG



WPC-2806CLFG



WPC-2806CLMG



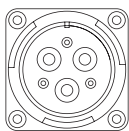
WPC-2809CLFG



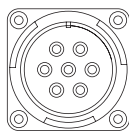
WPC-2809CLMG



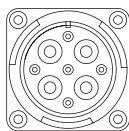
Contacts Configuration & Key Position Arrangement



6 PIN 2806



7 PIN 2407



9 PIN 2809

Solder Type	7 PIN (for 575W - 4KW)			6 PIN	9 PIN
	Key (Z)	Key (W)	Key (O)	(for 6KW)	(for 12/18KW)
WPC	Line Male	2407LMG-W	2407LMG-O	2806LMG	2809LMG
	Line Female	2407LFG-W	2407LFG-O	2806LFG	2809LFG
	Panel Female	2407SF-W	2407SF-O	2806SF	2809SF
WPS	Line Male	2407LM-Z	2407LM-W		
	Line Female	2407LF-Z	2407LF-W		2809LF
	Panel Male	2407SM-W	2407SM-O		
	Panel Female	2407SF-W		2806SF	2809SF
Crimp Type	Line Male			2806CLMG	2809CLMG
	Line Female			2806CLFG	2809CLFG
	Panel Female			2806CSF	2809CSF
	Panel Male	2407CSM			

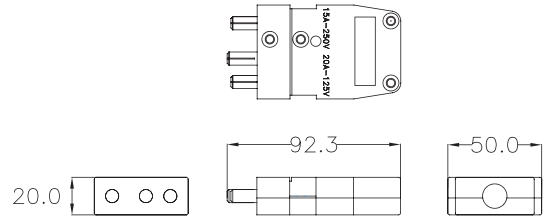
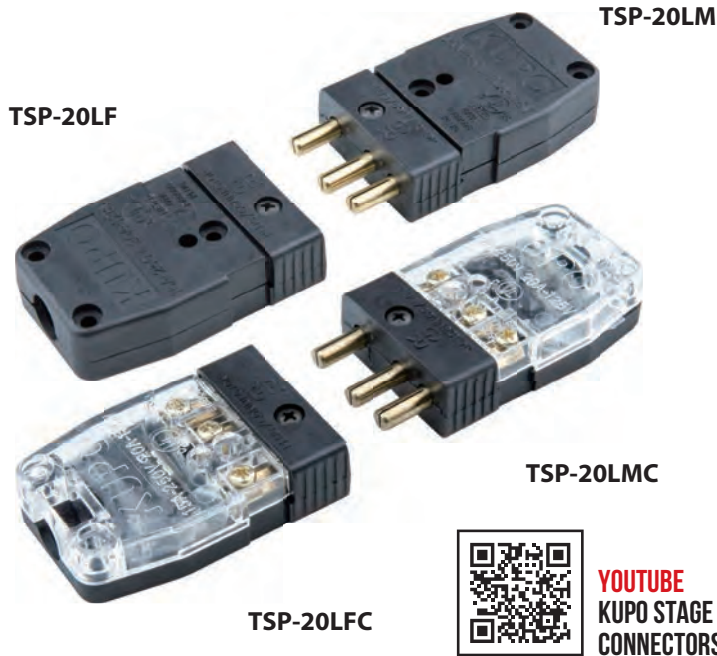
Cross Reference for Various Brands

BRAND	ARRI	CINEMILLS	STRAND	MOLE	SUNRAY	LTM	DE-SISTI
575W	2407-W	2407-Z	2407-Z	2407-Z	2407-Z	-	2407-Z
1200W	2407-W	2407-W	2407-W	2407-W	2407-W	-	2407-W
2500W	2407-O	2407-O	2407-O	-	2407-O	2407-O	2407-O
4000W	2407-O						
6000W	2806						
12KW	2809						
18KW	2809						

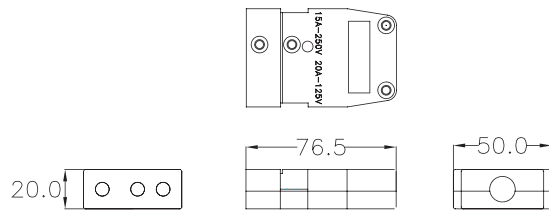
Stage Pin Connector (20 AMP Inline plugs and connectors)

Features

1. Compatible with all other 20Amp Connectors.
2. Connector body is made of high thermoplastic (material rated at 250 degree C); Free from melt and break down.
3. Ergonomic design is comfortable to handle.
4. Crimpless pressure terminal reduces the association with ring terminals; wider wiring chamber for easier to wire.
5. Brass pins are removable and can be replaced if damaged pins float in housing for easier alignment and low resistance.
6. Female sleeves are spilt to make a spring that exerts pressure on the male pin over the life of the device, even a crushed pin will make contact in female device.
7. Clearly marked terminals in accordance NEC to prevent mis-wiring.
8. Cable entry accepts 12/3 hard cable.



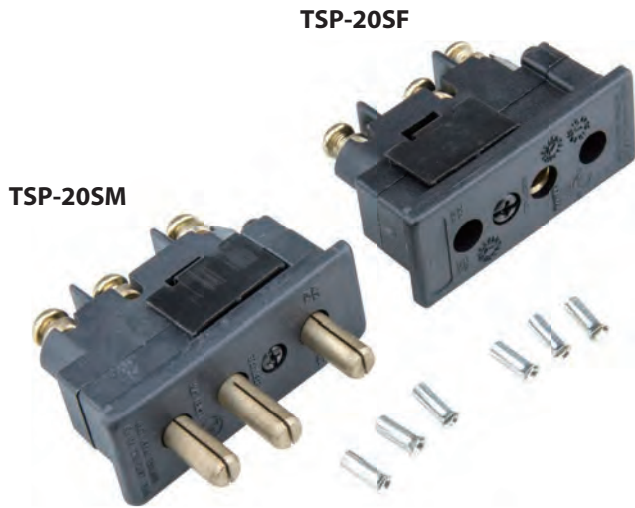
TSP-20LM MALE INLINE



TSP-20LF FEMALE INLINE

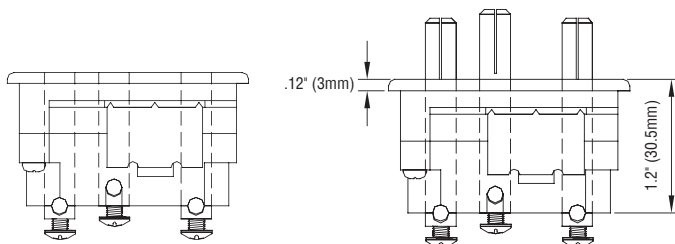
**YOUTUBE
KUPO STAGE PIN
CONNECTORS**

20 AMP Panel Mount Stage Pin Connector



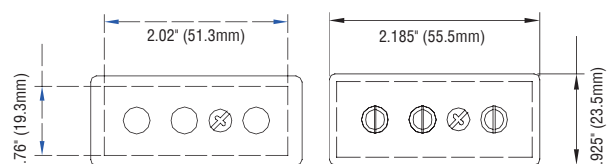
Features

1. Both males and females with a screw-driven mounting clip provides an easy mounting or removal from panels of various thickness.
2. Precision machined solid brass contacts.
3. Stripped conductors could be inserted through the cross-hole for pressure termination using wire shoes, which are included.
4. Ring terminations are also available for panel mount devices.
5. Self-grounding mounting clip eliminates the need for a separate ground wire.
6. Precisely fit the industry standard panel cut-out.



FEMALE PANEL MOUNT

MALE PANEL MOUNT



Panel Cutout 0.760 x 2.020(inch)
16 Gauge, 0.06" Material



YOUTUBE
KUPO STAGE PIN
TESTERS FT. VOLTAGE
METER & LAMP TESTER



TSP-20LMTR Stage Pin Power Tester

A simple and compact voltage meter to use with stage pin. No cumbersome setting and switching. Works on 90-240VAC wide range of voltage. Also the LED will light up while the tester detect the wiring of Live and Neutral is switched. Supplied with lanyard and hook for easy belt attachment to carry on.

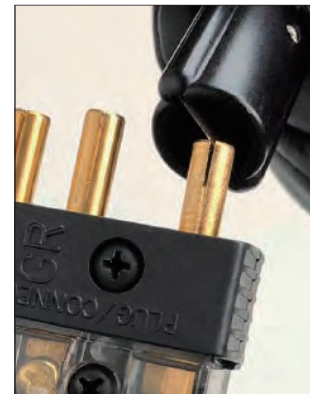


TSP-20LFTR Kupo Stage Pin Lamp Tester

Kupo Stage Pin lamp tester helps to diagnose the bulb continuity before you rig the fixture. While LED indicator fails to response, please check the lamp (bulb) to make sure it is not burned out. If the bulb is good, then there is something wrong with wiring. It has a built-in battery so external power is not required. Plus, it comes with a buzzer and you will not only see but hear authentically the test result.

Features

1. Quickly test for lamp (bulb) continuity or short by plugging into tester.
2. Easily to indicate a good lamp while tester is buzzing and green LED lights up.
3. Come with a key ring for clipping the tester to tool belt.
4. Built-in CR2032 Lithium DC3V battery.



TSP-PS Pin Splitter For Stage Pin

Used for clean, straighten, and spread the stage pins. Made of insulative polycarbonate material, it is strong and durable. A built-in wire brush helps to clean the pins of 20A stage pin connectors, and a recessed blade spreads the compressed pins to make a good electrical contact. Comes with a Nylon belt pouch with hook and loop flap closure.

Turn-lok, Nema Locking Connector

TURN-LOK connectors are the choice for quality electrical demand. UL and cUL listed, and also made to comply with NEMA 20A and 30A configuration. It is constructed of sturdy Nylon, PBT (thermoplastic) and premium grade of copper alloy, ensuring the durability and reliability for power connection. Turn-Lok is available in both receptacles and plugs for voltage AC125/250V, and covering up the needs for single and three phase applications.

Specification

1. Material: Nylon and PBT (thermoplastic) for line male and female; PBT only for socket receptacle.
2. Terminals: 1.8mm Copper alloy for 30A line male/female, 1.6mm copper alloy for 20A line male / female, 1.2mm copper alloy for receptacle.
3. Terminal screw: #10 screws bronze.
4. Wire accommodation: AWG #12 wire (for 20A connectors) / AWG #10 wire (for 30A connectors).



Features

1. Ribbed main body for firm and secure gripping.
2. Constructed of PBT (thermoplastic) and Nylon for greater impact-resistance and insulation.
3. Screw-type cord grip for maximum tightening force.



ATL-520LP Locking Plug

Pin: 3 / AMP: 20 / Voltage: 125
NEMA: L5-20P



ATL-620LP Locking Plug

Pin: 3 / AMP: 20 / Voltage: 250
NEMA: L6-20P



ATL-530LP Locking Plug

Pin: 3 / AMP: 30 / Voltage: 125
NEMA: L5-30P



ATL-630LP Locking Plug

Pin: 3 / AMP: 30 / Voltage: 250
NEMA: L6-30P



ATL-1420LP Locking Plug

Pin: 4 / AMP: 20 / Voltage: 125 / 250
NEMA: L14-20P



ATL-1430LP Locking Plug

Pin: 4 / AMP: 30 / Voltage: 125 / 250
NEMA: L14-30P



ATL-1520LP Locking Plug

Pin: 4 / AMP: 20 / Voltage: 250
NEMA: L15-20P



ATL-1530LP Locking Plug

Pin: 4 / AMP: 30 / Voltage: 250
NEMA: L15-30P



ATL-1620LP Locking Plug

Pin: 4 / AMP: 20 / Voltage: 480
NEMA: L16-20P



ATL-515P Inline Plug
Pin: 3 / AMP: 15 / Voltage: 125
NEMA: 5-15P



ATL-520P Inline Plug
Pin: 3 / AMP: 20 / Voltage: 125
NEMA: 5-20P



ATL-615P Inline Plug
Pin: 3 / AMP: 15 / Voltage: 250
NEMA: 6-15P



ATL-620P Inline Plug
Pin: 3 / AMP: 20 / Voltage: 250
NEMA: 6-20P



ATL-520C
Locking Cord Connector
Pin: 3 / AMP: 20 / Voltage: 125
NEMA: L5-20C



ATL-620C
Locking Cord Connector
Pin: 3 / AMP: 20 / Voltage: 250
NEMA: L6-20C



ATL-530C
Locking Cord Connector
Pin: 3 / AMP: 30 / Voltage: 125
NEMA: L5-30C



ATL-630C
Locking Cord Connector
Pin: 3 / AMP: 30 / Voltage: 250
NEMA: L6-30C



ATL-1420C
Locking Cord Connector
Pin: 4 / AMP: 20 / Voltage: 125 / 250
NEMA: L14-20C



ATL-1430C
Locking Cord Connector
Pin: 4 / AMP: 30 / Voltage: 125 / 250
NEMA: L14-30P



ATL-1520C
Locking Cord Connector
Pin: 4 / AMP: 20 / Voltage: 250
NEMA: L15-20P



ATL-1530C
Locking Cord Connector
Pin: 4 / AMP: 30 / Voltage: 250
NEMA: L15-30P



ATL-1620C
Locking Cord Connector
Pin: 4 / AMP: 20 / Voltage: 480
NEMA: L16-20P



ATL-515CF
Inline Connector
Pin: 3 / AMP: 15 / Voltage: 125
NEMA: 5-15C



ATL-520CF
Inline Connector
Pin: 3 / AMP: 20 / Voltage: 125
NEMA: 5-20C



ATL-615CF
Inline Connector
Pin: 3 / AMP: 15 / Voltage: 250
NEMA: 6-15C



ATL-620CF
Inline Connector
Pin: 3 / AMP: 20 / Voltage: 250
NEMA: 6-20C



ATL-1420FI
Locking Flange Inlet
Pin: 4 / AMP: 20 / Voltage: 125 / 250
NEMA: L14-20



ATL-1520FI
Locking Flange Inlet
Pin: 4 / AMP: 20 / Voltage: 250
NEMA: L15-20



ATL-1620FI
Locking Flange Inlet
Pin: 4 / AMP: 20 / Voltage: 480
NEMA: L16-20



ATL-1530FI
Locking Flange Inlet
Pin: 4 / AMP: 30 / Voltage: 250
NEMA: L15-30



ATL-1420FO
Locking Flange Outlet
Pin: 4 / AMP: 20 / Voltage: 125 / 250
NEMA: L14-20



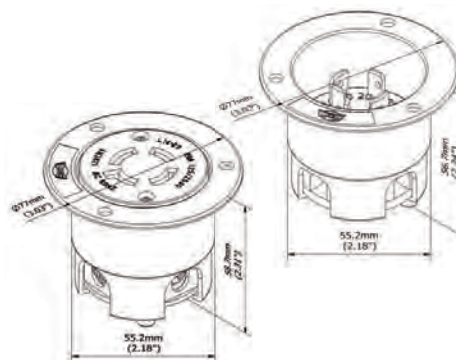
ATL-1520FO
Locking Flange Outlet
Pin: 4 / AMP: 20 / Voltage: 250
NEMA: L15-20



ATL-1620FO
Locking Flange Outlet
Pin: 4 / AMP: 20 / Voltage: 480
NEMA: L16-20



ATL-1530FO
Locking Flange Outlet
Pin: 4 / AMP: 30 / Voltage: 250
NEMA: L15-30



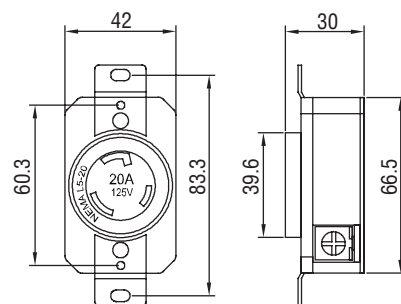
ATL-520R
Locking Receptacle
Pin: 3 / AMP: 20 / Voltage: 125
NEMA: L5-20R



ATL-620R
Locking Receptacle
Pin: 3 / AMP: 20 / Voltage: 250
NEMA: L6-20R



ATL-530R
Locking Receptacle
Pin: 3 / AMP: 30 / Voltage: 125
NEMA: L5-30R



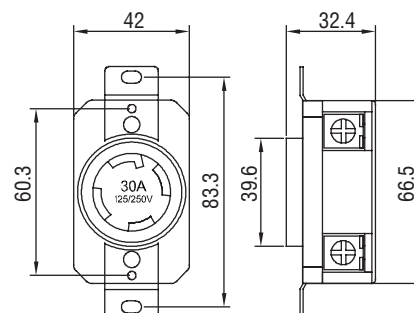
ATL-630R
Locking Receptacle
Pin: 3 / AMP: 30 / Voltage: 250
NEMA: L6-30R



ATL-1420R
Locking Receptacle
Pin: 4 / AMP: 20 / Voltage: 125 / 250
NEMA: L14-20R



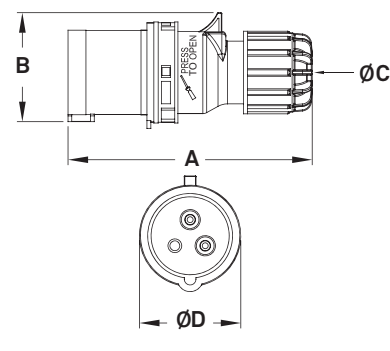
ATL-1430R
Locking Receptacle
Pin: 4 / AMP: 30 / Voltage: 125 / 250
NEMA: L14-30R



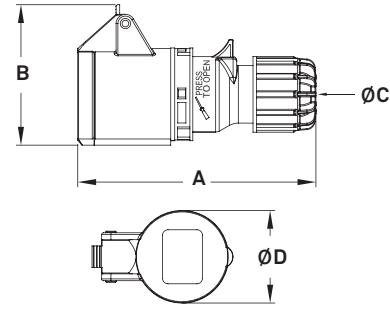
The CEE form series, which is derived from the Certification of Electrotechnical Equipment (CEE). These connectors, also known as CEEFORM, adhere to the rigorous CEE17 standards for industrial plugs and sockets. Our CEE form sockets and plugs are designed to deliver unparalleled performance in a wide range of environmental conditions and applications. Specifically tailored for the entertainment industry, our B&B series (Blue lid and Black body) boasts a distinctive 250 voltage rating identification and a sophisticated matt black finish to minimize reflections during productions. This unique design ensures that the connectors seamlessly blend with the background, enhancing the overall presentation quality. In compliance with IEC 60309, our connectors cover a versatile range from 16 to 125 Amp, supporting voltage ratings from 110 to 400 volts. Moreover, they carry CE approval and boast IP44/IP67 ratings, meeting the highest safety standards.



Item	Amper	Poles	Key	Voltage (V)	Dimensions (mm)				Cable Size (mmsq)
					A	B	C	D	
KHTN013	16	3	6h	230	120	57	15	53.5	1-2.5
KHTN013-4	16	3	4h	110	120	57	15	53.5	1-2.5
KHTN013-BK	16	3	6h	230	120	57	15	53.5	1-2.5
KHTN023	32	3	6h	230	150	80.5	22	72	2.5-6
KHTN014	16	4	6h	400	125	67.5	15	61	1-2.5
KHTN024	32	4	6h	400	150	80.5	17	72	2.5-6
KHTN025	32	5	6h	400	155	89.5	17	79.5	2.5-6
KHTN725	32	5	6h	400	155	89.5	22	79.5	2.5-6



Item	Amper	Poles	Key	Voltage (V)	Dimensions (mm)				Cable Size (mmsq)
					A	B	C	D	
KHTN213	16	3	6h	230	130	75.6	15	52	1-2.5
KHTN213-4	16	3	4h	110	130	75.6	15	52	1-2.5
KHTN213-BK	16	3	6h	230	130	75.6	15	52	1-2.5
KHTN223	32	3	6h	230	162	94	22	64.6	2.5-6
KHTN214	16	4	6h	400	135	83	15	58	1-2.5
KHTN224	32	4	6h	400	162	94	17	64.6	2.5-6
KHTN225	32	5	6h	400	163.5	100	17	71	2.5-6

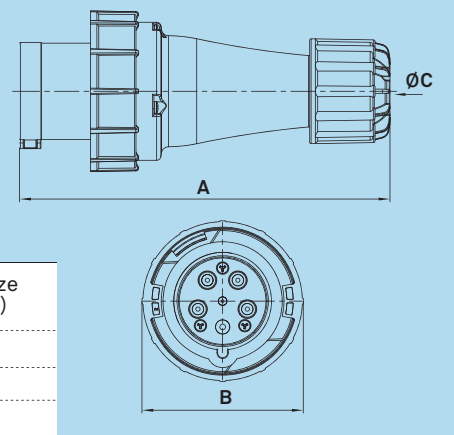


IP67



KHTN0331 **KHTN0351 & KHTN0451**

Item	Amper	Poles	Key	Voltage (V)	Dimensions (mm)			Cable Size (mmsq)
					A	B	C	
KHTN0331	63	3	6h	230	260	113.5	32	6-16
KHTN0351	63	5	6h	400	260	113.5	32	6-16
KHTN0451	125	5	6h	400	301	126	45	16-50



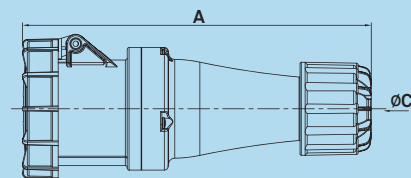
IP67



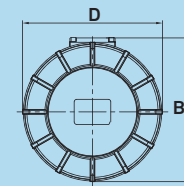
KHTN2331



KHTN2351 & KHTN2451



Item	Amper	Poles	Key	Voltage (V)	Dimensions (mm)				Cable Size (mmsq)
					A	B	C	D	
KHTN2331	63	3	6h	230	260	113.5	32	111	6-16
KHTN2351	63	5	6h	400	260	113.5	32	111	6-16
KHTN2451	125	5	6h	400	319	130	45	127	16-50



KHTN413 B&B



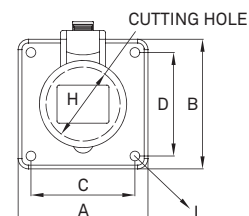
KHTN414



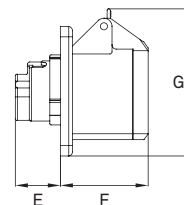
KHTN415



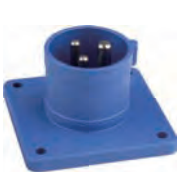
KHTN423



Item	Amper	Poles	Key	Voltage (V)	Dimensions (mm)							Cable Size (mmsq)
					A/B	C/D	E	F	G	H	I	
KHTN413	16	3	6h	230	62	47	26	52	85	43	4.5	1.5-4
KHTN414	16	4	6h	400	75	60	27	52	87	50	4.5	1.5-4
KHTN415	16	5	6h	400	75	60	27	52	91	56	4.5	1.5-4
KHTN423	32	3	6h	230	75	60	30	63	93	57.5	4.5	2.5-10
KHTN424	32	4	6h	400	75	60	30	52	87	58	4.5	2.5-10
KHTN425	32	5	6h	400	75	60	30	63	100	64	4.5	2.5-10



KHTN613



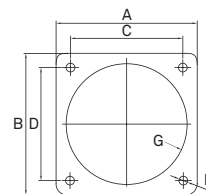
KHTN623



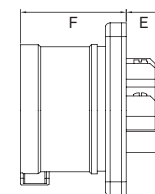
KHTN624



KHTN625



Item	Amper	Poles	Key	Voltage (V)	Dimensions (mm)						Cable Size (mmsq)
					A/B	C/D	E	F	G	H	
KHTN613	16	3	6h	230	75	60	16.5	45.5	64	4.5	1.5-4
KHTN623	32	3	6h	230	75	60	16.5	54.7	64	4.5	2.5-10
KHTN624	32	4	6h	400	75	60	16.5	55	64	4.5	2.5-10
KHTN625	32	5	6h	400	75	60	16.5	55	64	4.5	2.5-10



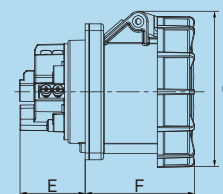
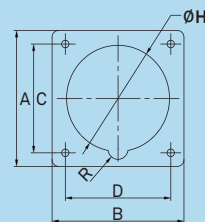
IP67



KHTN4331



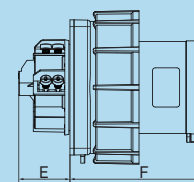
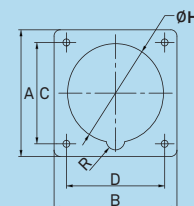
KHTN4351 & KHTN4451



KHTN6331



KHTN6351 & KHTN6451



Item	Amper	Poles	Key	Voltage (V)	Dimensions (mm)						Cable Size (mmsq)
					A/B	C/D	E	F	G	H	
KHTN4331	63	3	6h	230	100	80	39	94.5	114.5	73	6-25
KHTN4351	63	5	6h	400	100	80	39	94.5	114.5	73	6-25
KHTN4451	125	5	6h	400	120	100	58	105.5	129	87	25-70
KHTN6331	63	3	6h	230	100	80	39	94.5	-	73	6-25
KHTN6351	63	5	6h	400	100	80	39	94.5	-	73	6-25
KHTN6451	125	5	6h	400	120	100	58	105.5	-	87	25-70



XLR3-LM-G
XLR 3 pin line male, gold-plated pin



XLR3-LF-G
XLR 3 pin line female, gold-plated pin



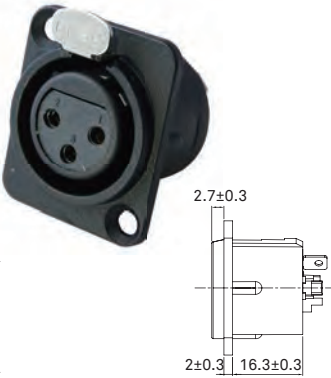
XLR5-LM-G
XLR 5 pin line male, gold-plated pin



XLR5-LF-G
XLR 5 pin line female, gold-plated pin



XLR3-SM-G
XLR 3 pin panel male, gold-plated pin



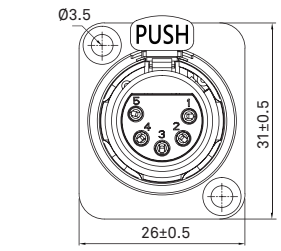
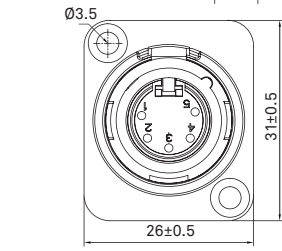
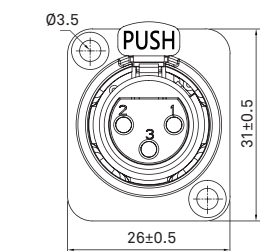
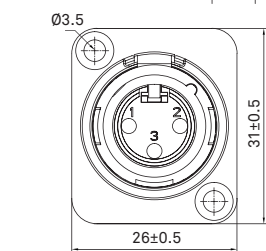
XLR3-SF-G
XLR 3 pin panel female, gold-plated pin



XLR5-SM-G
XLR 5 pin panel male, gold-plated pin



XLR5-SF-G
XLR 5 pin panel female, gold-plated pin



AD-3M5F
Adaptor for XLR 3 pin male to 5 pin female.



AD-5M3F
Adaptor for XLR 5 pin male to 3 pin female.



AD-5F5F
Adaptor for XLR 5 pin female to 5 pin female.



AD-3F3F
Adaptor for XLR 3 pin female to 3 pin female.



XLR-WPC XLR Water Proof Cover
XLR-WPC is designed to protect XLR connector from wet and dust. See-through transparent PVC body helps check up mating status easily. Feasible for O.D. 4-6 mm cable. IP66.



XLR-BJS Black Jelly Sleeve
XLR-BJS is silicon made sleeve for XLR cables with superior protection, especially for those ready-made cables without protection on connector in advance. With this elastic black silicon sleeve, the ordinary cable is prompted with additional shield. IP65 while mated and feasible for 3pin and 5pin XLR.

Powerlead T1 is single phase power connector certified with breaking capacity (CBC) according to IEC 60320-1, featuring the capability to be connected or disconnected under load or live. The twist-and-lock design ensures the mating engagement with the greatest security. It is rated 16A and IP65 waterproof. Reliable and suitable for LED fixture and abundant need of power supply in entertainment.



Technical Information

- Contact resistance: $\leq 3 \text{ m}\Omega$
- Dielectric strength: 4kVdc
- Insulation resistance: $> 0.1 \text{ G}\Omega$
- Rated current per contact: 16A
- Rated voltage: AC250V
- Temperature range: -30°C to $+80^\circ\text{C}$
- Max wire size: 12AWG / 2.5mm²
- 94V-0/HB flame-retarded grade
- IP65 dustproof and waterproof
- Compliance with ENEC / IEC 60320-1

Features

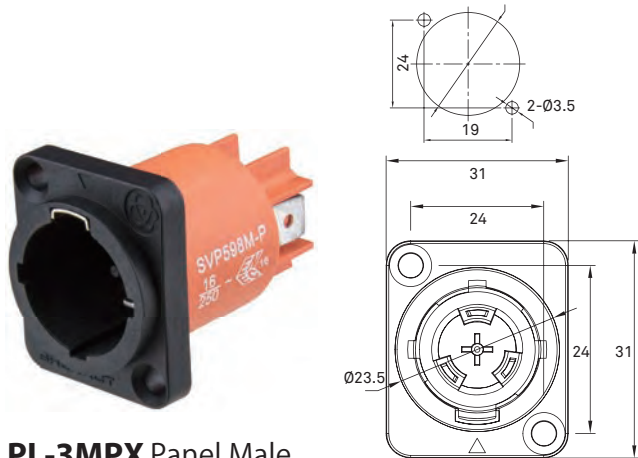
- Connector with breaking capacity (CBC), designed to be engaged or disengaged in normal use when live or under load.
- ENEC 16 certified with IEC 60320-1
- Single phase 16A / 250V
- Screw push-pull copper block stamping piece contact body structure.
- PE pin priority connection structure.
- IP65 dustproof and waterproof when mated.
- With in-line male and female mating directly.



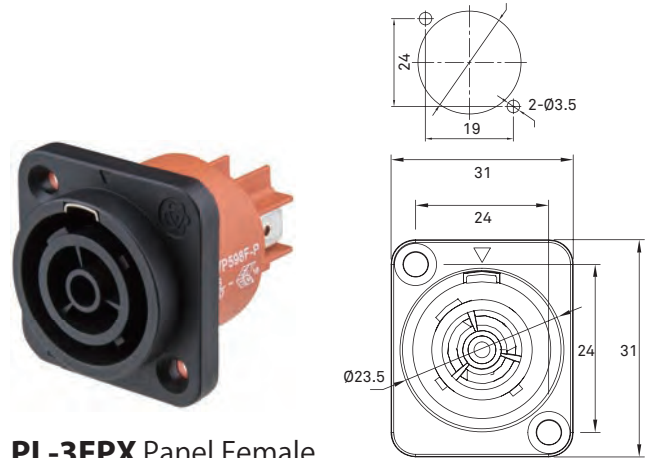
PL-3MXW Line Male
For cable diameter 8.5-11, or 12-15mm



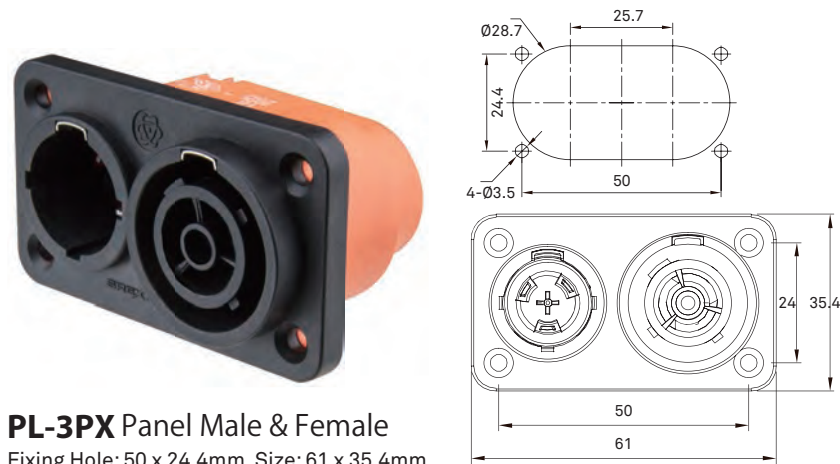
PL-3FXW Line Female
For cable diameter 8.5-11, or 12-15mm



PL-3MPX Panel Male
Fixing hole: 19 x 24mm, Size: 26 x 31mm



PL-3FPX Panel Female
Fixing hole: 24.5 x 24.5mm, Size: 35.4 x 35.4mm



PL-3PX Panel Male & Female
Fixing Hole: 50 x 24.4mm, Size: 61 x 35.4mm



Powerlead is 20A/250Vac rated single phase AC power connector, featuring twist-and-lock engagement with greatest security. It is UL listed and made with high standard to fulfill the rigorous criteria in the entertainment industry. Ideal for LED fixture as power source. POWERLEAD is compatible with major brand of the likes.

Features

- Non-interchangeable and color-coded, ensuring mistake-proof connection system. Blue for power-in, and grey for power-out .
- Contact with one micro silver-plated for excellent electric conductivity.
- Metal flange on the slot fixity to avoid any fray.
- Reinforced thermoplastic forms the housing for the robust and maximum durability, and UL94V-HB flame-retardant meets safety requirements.
- Ergonomic latch for handy use with less effort and ensure the firm lock .
- T-type thread on inner side of rear cap enhance the rotary tightened for slip free.
- Hexagonal-shaped rear cap for operation with bare hand or a wrench, rubber bushing fits wide range of cable and provides outstanding environment protection.



Electrical

Contact resistance: $\leq 3 \text{ m}\Omega$ / Dielectric strength: 4 kVdc / Insulation resistance: $> 0.1 \text{ G}\Omega$ (after damp heat test IEC 68-2-30) / Rated current per contact: 20 A / Rated voltage: 250 V

Environmental

Solderability: Complies with IEC 68-2-20
Temperature range: -30 °C to +80 °C

Material

Bushing: Polyamide (PA6 15% GF) / Contact plating: 4 μm Ag / Contacts: Bronze (CuSn6)
Insert: Polyamide (PA6 30 % GF) / Locking element: Zinc diecast (ZnAl4Cu1) / Shell: Polyamide (PA6 30 % GF) / Strain relief: POM

Mechanical

Cable O.D.: 5 - 15 mm
Lifetime: > 1000 mating cycles
Wire size: 2.5 mmsq / 14 AWG



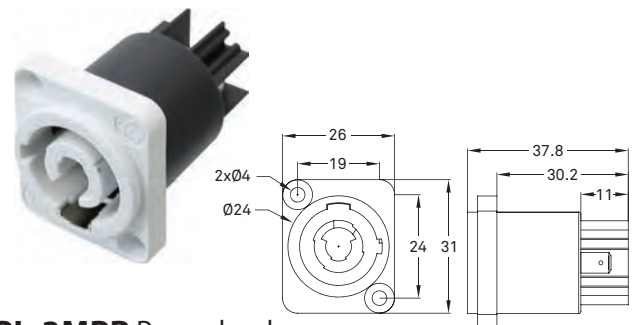
PL-3FCA Powerlead



PL-3FCB Powerlead



PL-3MPA Powerlead



PL-3MPB Powerlead

Schuko is one of industrial standard connector mostly used in Germany and part of Europe. It is widely adopted in entertainment as well. Kupo supplies variation of assembly-type schuko for the need, including stiff housing and rubber encompassed model.

Technical Information:

1. Contact: Nickel-plated bronze; 2P+E.
2. Protection: IP 44.
3. Shell: PA66 with flame retarded Rubber (for rubber models only).



131 Schuko Plug



1602 Schuko Connector



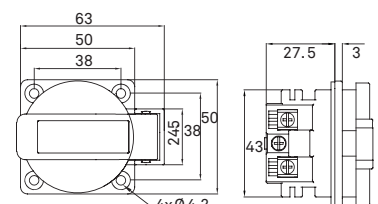
R212 Schuko Connector (Rubber)



R012 Schuko Plug (Rubber)



CZ03 Schuko Panel Socket



Manufactured of extruded aluminum housing, this series of power distribution boxes have slim line profile yet robust and lightweight features. Black hard anodize coating keeps the housing electrical insulated. Equipped with various sockets for diverse need; available with 90-240V voltmeter for easier voltage identification, or DC5V/2.1A USB outlet as smart devices charger



YOUTUBE
LINEAR POWER
DISTRIBUTION BOX



Rear View



PDB-L1601R

1.5U 19" Rack Mount Power Distro Box w/ Voltmeter

Input: 1 x 20A Neutrik PowerCon

Output: 6 x 20A 250V 2P+E Universal socket

Dimension: 482.6 (L) x 51.5 (W) x 66.6 (H)/mm



PDB-L1602R

1.5U 19" Rack Mount Power Distro Box w/ USB Charger

Input: 1 x 20A Neutrik PowerCon

Output: 6 x 20A 250V 2P+E Universal socket

Dimension: 482.6 (L) x 51.5 (W) x 66.6 (H)/mm



PDB-L1501

5 Way Linear Distribution Box with Voltmeter

Input: 1 x 20A Neutrik PowerCon

Output: 5 x 20A 250V 2P+E Universal socket

Dimension: 350 (L) x 66 (W) x 42 (H)/mm



PDB-L1501D

5 Way Linear Distribution Box with Voltmeter

Input: 1 x 20A Neutrik PowerCon

Output: 1 x 20A Neutrik PowerCon

Output: 5 x 20A 250V 2P+E Universal socket

Dimension: 395 (L) x 66 (W) x 42 (H)/mm



PDB-L1603

6 Way Linear Distribution Box with Voltmeter

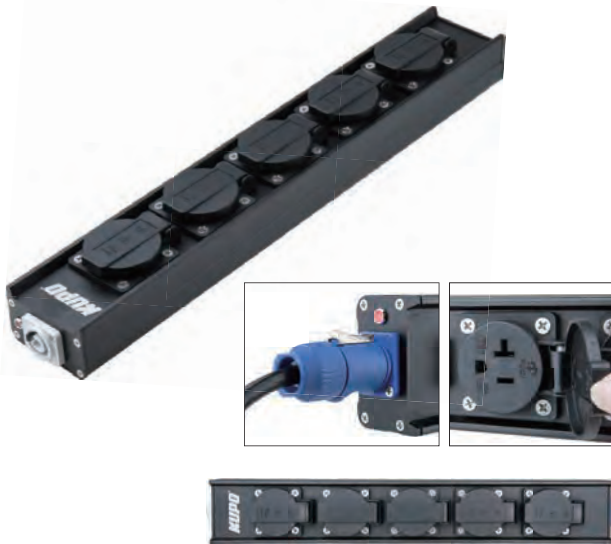
Input: 1 x 10A IEC male socket
 Output: 6 x NEMA 5-15 Edison outlets
 Dimension: 326(L) x 66(W) mm x 42(H)/mm



PDB-L1604

6 Way Linear Distribution Box with USB Charger

Input: 1 x 10A IEC male socket
 Output: 6 x NEMA 5-15 Edison outlets
 Dimension: 326(L) x 66(W) mm x 42(H)/mm



PDB-L1504D

5 Way Linear Distribution Box with power indicators

Input: 1 x 20A Neutrik PowerCon
 Output: 1 x 20A Neutrik PowerCon
 Output: 5 x 20A 125V NEMA 5-20 outlets
 Dimension: 430(L) x 66(W) X 50 (H)/mm



PDB-L1505D

5 Way Linear Distribution Box with power indicators

Input: 1 x 20A Neutrik PowerCon
 Output: 1 x 20A Neutrik PowerCon
 Output: 5 x 16A SCHUKO outlets
 Dimension: 430(L) x 66(W) X 50 (H)/mm



PDB-L1506D

5 Way Linear Distribution Box with power indicators

Input: 1 x 20A Neutrik PowerCon
 Output: 1 x 20A Neutrik PowerCon
 Output: 5 x 15A AS/NZS 3112 outlets
 Dimension: 430(L) x 66(W) X 50 (H)/mm



PDB-L1502D

5 Way Linear Distribution Box with USB Charger

Input: 1 x 20A Neutrik PowerCon
 Output: 1 x 20A Neutrik PowerCon
 Output: 5 x 20A 250V 2P+E Universal socket
 Dimension: 410 (L) x 66 (W) x 42 (H)/mm



PDB-L1801

8 Way Linear Distribution Box with Voltmeter

Input: 1 x 20A Neutrik PowerCon
 Output: 8 x 20A Neutrik PowerCon
 Dimension: 335 (L) x 66 (W) x 42 (H)/mm



stainless steel screws



Formed of extruded aluminum alloy with hard anodized surface treatment. Robust, lightweight, and excellent electrical insulation.



A built-in voltmeter, taking 90-240VAC and giving clear display of working voltage, helps to reduce the damage from mains misconnection.



19" rack mountable module available. Making build-up or add-on easier for greater power distribution.



Mobile phone friendly! DC5V/2.1V USB charger supports the electric supply for your smart phone and devices.

Compact and rugged finish. This streamliner distribution box is made of aluminum alloy extrusion, making it slim yet great toughness character. Designed for the need with max 20A power consumption. Extremely lightweight and takes much less storage space. Built up with cUL-listed turn-n-lock Powerlead connector and compatible with the other brands. Four outputs per each unit.



Compact & Slim Profile



Compatible with Neutrik PowerCon True1

PDB-L1401

4 Way Linear Distribution Box

Powerlead power distro box, 4 outputs, max. 20A (compatible with Neutrik PowerCon).
 Input: 1 x 20A Powerlead (Neutrik PowerCon compatible)
 Output: 4 x 20A Powerlead (Neutrik PowerCon compatible)
 Dimension: 170(L) x 44(W) x 65(H)/mm

PDB-L1402

4 Way Linear Distribution Box

Powerlead T1 power distro box, 4 outputs, max 16A (compatible with Neutrik PowerCon True1).
 Input: 1 x 16A Powerlead T1 (Neutrik PowerCon True1 compactible)
 Output: 4 x 16A Powerlead T1 (Neutrik PowerCon True1 compactible)
 Dimension: 204(L) x 44(W) x 65(H)/mm

The robust chassis is fabricated with high tensile aluminum extrusion with black anodized finish. Mylar film completely wraps around the inner soldering area for best insulation. Soldered with 2.5mm silicon wire secures higher working current capacity. Assembled with 20A lockable socket, and compatible with original Neutrik Powercon connectors.

PDB-11JB Power Junction Box



Made of rubber cubic box featuring sturdy and robust housing. This range of distro boxes are fabricated with cUL-listed 20A powerlead receptacles, as well as CE-compliant 16A or 32A CEE form receptacles. The boxes are made with 6 outlets for the greatest electric utility. Outlet panel is equipped with rubber cap rest so that the CEE form connector cover can hook on it without slip. Fully insulated, flame-retarded and UV resistant.



PDB-C1601 Power Distro Box
6 powerlead outputs, max. 16A



PDB-C1601D Power Distro Box
6 powerlead outputs, max. 16A, with CEE form 16A output.



PDB-C1602 Power Distro Box
6 powerlead outputs, max. 32A



PDB-C1602D Power Distro Box
6 powerlead outputs, max. 32A, with CEE form 32A output.



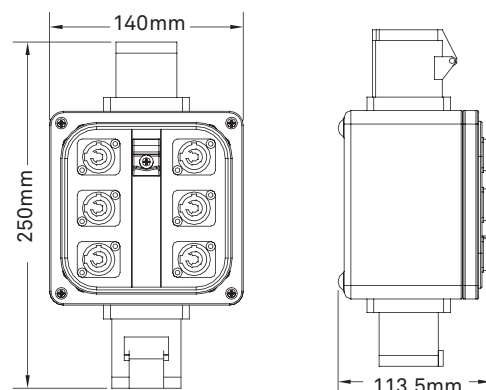
PDB-C1603 Power Distro Box
6 powerlead outputs, max. 20A



PDB-C1603D Power Distro Box
6 powerlead outputs, max. 20A, with Soca 19pin output.



Rubber cap rest for the lid of connector to hook up while connectors are coupling.



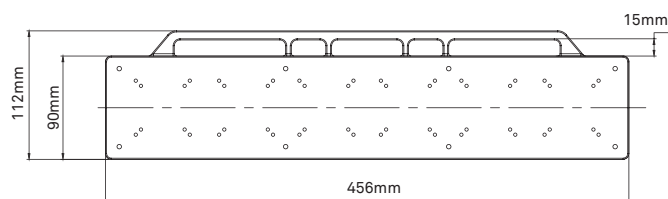
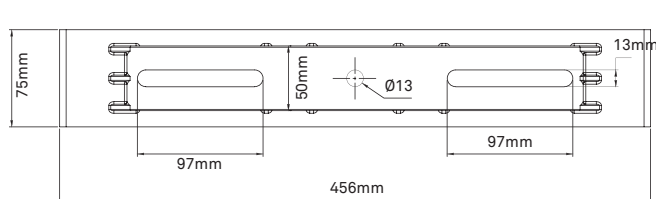
Electricity is the fundamental element and source to the lights. Stable and reliable distribution of power plays an important role in a successful lighting performance. Kupo's plastic power distribution is constructed of PA material which offers excellent insulation, impact-resistance and flame-retarded features. With in-house bracket structure, it can be diversely attached to the truss or tube with combination of clamps. Other than rigid PA material, this box is also fabricated with quality connectors, and assembled through experienced craftsmanship, which ensures the durability and reliability.

Features

- Dual handle slots allow flexible movement of couplers.
- Central aperture on handle for single coupler provides attachment to truss easily.
- Rectangle and less bulky shape accesses to truss with no efforts.
- Perforation slots for the convenience of CEE and Schuko positioning.
- Black CEE and Schuko meet the low-key and professional requirement.
- Blue lid of CEE connector gives the clear identification of AC/220Vac 16 Amp.
- Embedded screw nut gives great convenience protection while assembling the box by screws.



YOUTUBE
KUPO PORTABLE POWER
DISTRIBUTION BOXES



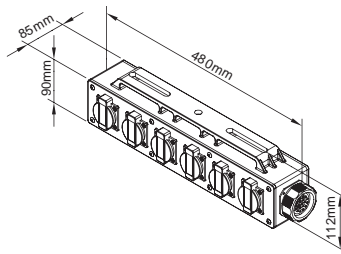
Embedded nut makes the assembling with screw effortlessly.



Dual handle slots allow flexible movement of couplers.

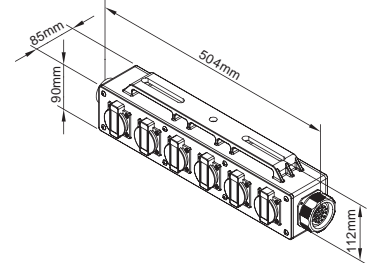


Perforation pattern for easily positioning.



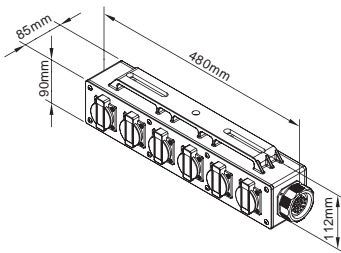
PDB-P003

6 x Schuko panel female.
1 x 19-pin panel male.



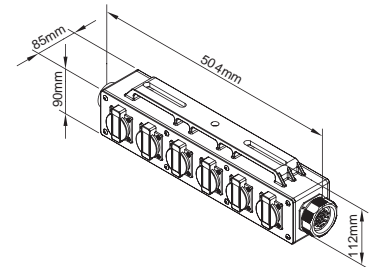
PDB-P003D

6 x Schuko panel female.
1 x 19-pin panel male.
1 x 19-pin panel female.



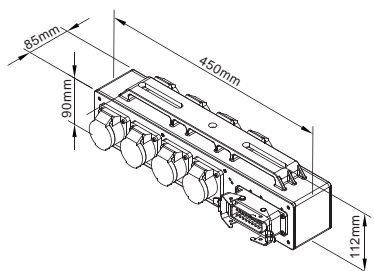
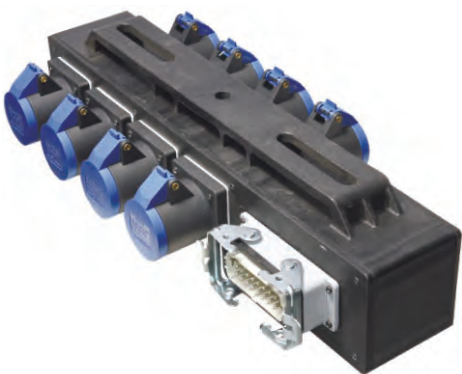
PDB-P004

6 x CEE 16A panel female.
1 x 19-pin panel male.



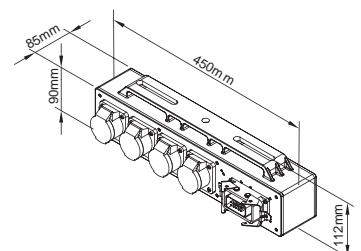
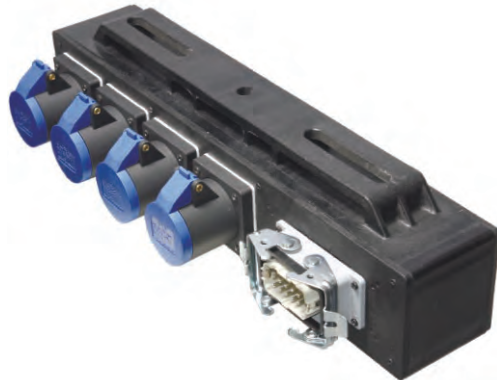
PDB-P004D

6 x CEE 16A panel female.
1 x 19-pin panel male.
1 x 19-pin panel female.



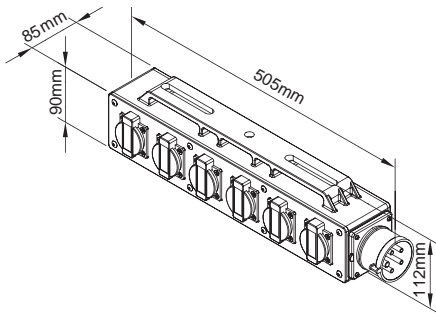
PDB-P005

8 x CEE 16A panel female.
1 x Multi-pole 16-pin panel male.



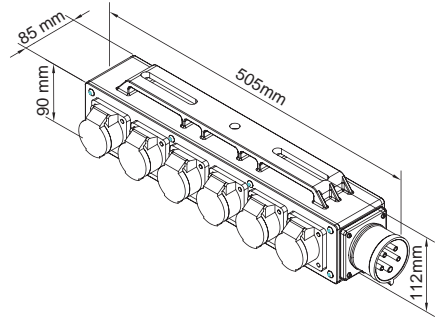
PDB-P005S

4 x CEE 16A panel female.
1 x Multi-pole 10-pin panel male.



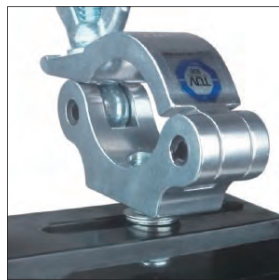
PDB-P003-KDK

6 x Schuko panel female (output).
 1 x 32A 5P three phase CEE panel male (input).
 L1->channel 1 & 2.
 L2->channel 3 & 4.
 L3->channel 5 & 6.

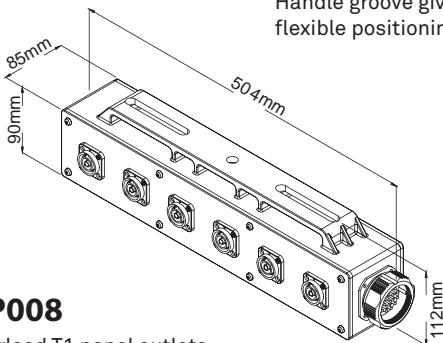


PDB-P004-KDK

6 x CEE 16A panel female (output).
 1 x 32A 5P three phase CEE panel male (input).
 L1->channel 1 & 2.
 L2->channel 3 & 4.
 L3->channel 5 & 6.



Handle groove gives coupler flexible positioning.

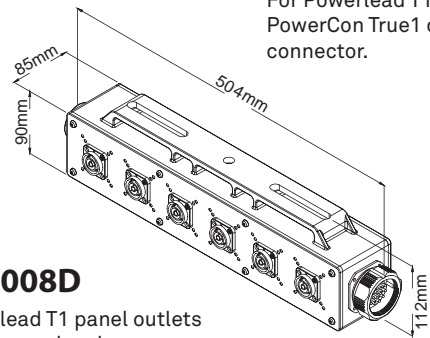


PDB-P008

6 x Powerlead T1 panel outlets
 1 x 19-pin panel male



For Powerlead T1 or Neutrik PowerCon True1 compatible connector.



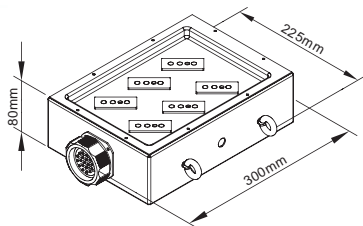
PDB-P008D

6 x Powerlead T1 panel outlets
 1 x 19-pin panel male
 1 x 19-pin panel female

Kupo power distribution boxes are made of 1.2 mm thickness steel sheet. The internal wiring consists of 1.5 mmsq (16 AWG) silicon cable as standard. The sinking front panel for a better protection of each connector. The standard 2 hanging rings make rigging easier on truss. Each side with an extra clamp hanging hole to fit limited space. The followings are the range of power distribution boxes, other variations of power distribution boxes are available upon request.

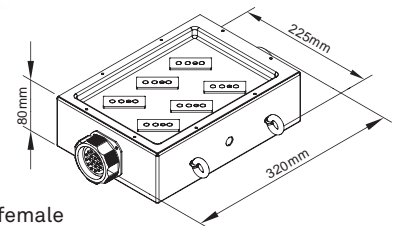
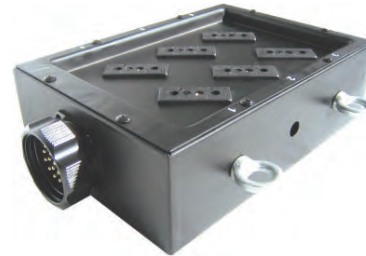


**CUSTOM
DESIGN
AVAILABLE**



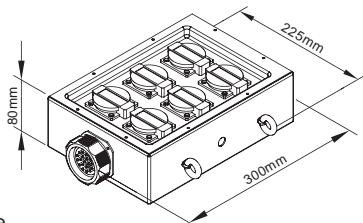
PDB-001

6 x Stage 3-pin panel female
1 x 19-pin panel male



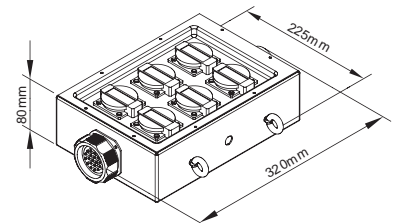
PDB-001D

6 x Stage 3-pin panel female
1 x 19-pin panel male
1 x 19-pin panel female



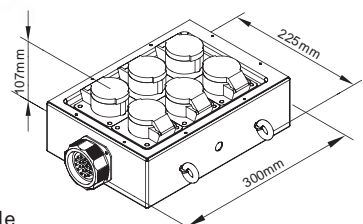
PDB-003

6 x Schuko panel female
1 x 19-pin panel male



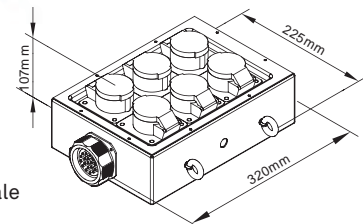
PDB-003D

6 x Schuko panel female
1 x 19-pin panel male
1 x 19-pin panel female



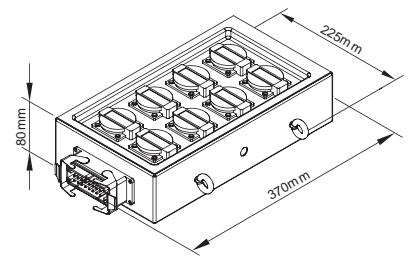
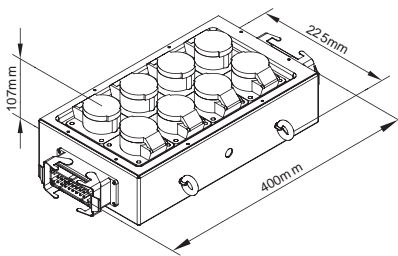
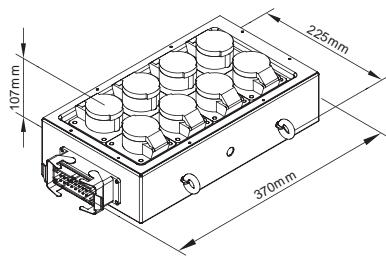
PDB-004

6 x CEE 16A panel female
1 x 19-pin panel male



PDB-004D

6 x CEE 16A panel female
1 x 19-pin panel male
1 x 19-pin panel female



PDB-005

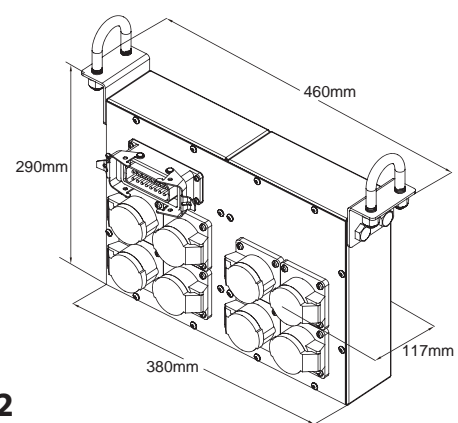
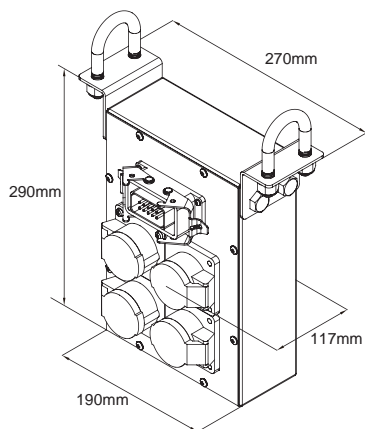
8 x CEE 16A panel female
1 x Multi- pole 16-pin panel male

PDB-005D

8 x CEE 16A panel female
1 x Multi- pole 16-pin panel female

PDB-006

8 x Schuko panel female
1 x Multi- pole 16-pin panel male

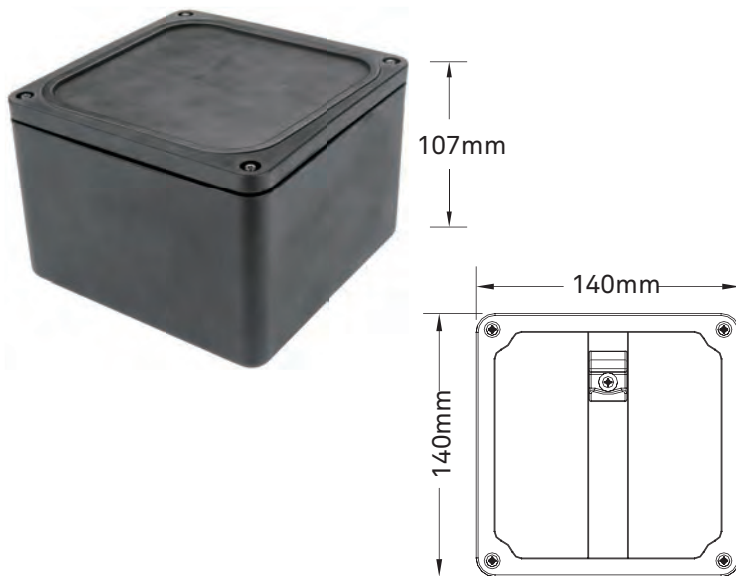


PDB-CH01

- 4 x CEE 16A panel female
- 1 x Multi-pole 10-pin panel male
- 2 x Hanging bracket for 1.5" tube
(bracket for other size of tube is available)

PDB-CH02

- 8 x CEE 16A panel female
- 1 x Multi-pole 16-pin panel male
- 2 x Hanging bracket for 1.5" tube
(bracket for other size of tube is available)



Bottom with X support enhances the durability.



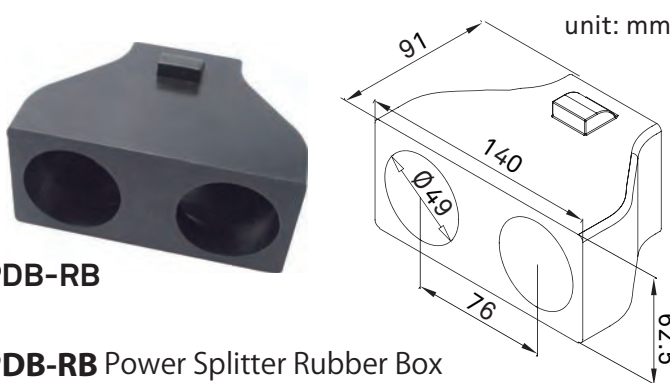
Lid rest can be added for resting the lid of female CEE form connector.

Footpad uphold the upright stability.

PDB-RCB Rubber Cubic Box

Molded of hard rubber, this cubic and robust box features fully insulated, impact-proof, water and corrosion resistance. Silicon O ring keeps the lid tightly attached to main housing. Corner is rounded to prevent the damage over sharp bumps. On the bottom are four footpads for upright application. One side of lid is grooved slightly in the central so that it can accommodate the lid rest for resting CEE form connector cover when it is made to be a power distribution box. Flame-retarded and UV resistance.

It is molded of sturdy rubber fully insulated, providing shock, impact, corrosion and weather resistance, and feasible for using with 19-pin, CEE and other connectors. Durable and Portable. Compact size allows truss access and standing feet for floor application. The hooking strut is for firm hook up with CEE protection cap.



PDB-RB

PDB-RB Power Splitter Rubber Box

Box (with 12 screws)



PDB-19PRB

PDB-16CRB

Footpad helps with stabilization

PDB-19PRB Power Splitter Rubber Box

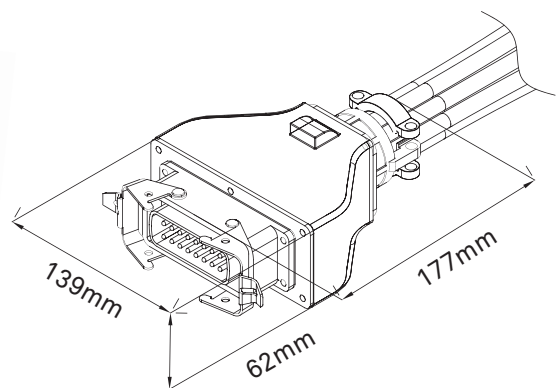
Box with 1 x PLS-5219SM and 2 x PLS-5219SF Sockets

PDB-16CRB Power Splitter Rubber Box

Box with 1 x 16A CEE Male and 2 x Female Sockets



Lid rest for the CEE female connector.



PDB-16HBK Splitter Rubber Box

Rubber Splitter Box with 16pin Multiple connector, and 8 x 1.2M outlets (each outlet consists of 3x2.5mmsq H07RN-F cable with 16A CEE line female connector) 8 x CEE outlets with 16-pin connector input. Splitter Rubber Box with 8 x 3C, 2.5 mmsq cable 1.2 meters.

Y-Cord or Twofer, are cabling device used in theatrical stage lighting. It allows two stage lighting instruments to be connected to one dimming channel. Never having cumbersome for jamming two wires into a single connector. Kupo Y-Splitters are constructed with two layers. The inner core is PVC injection-molding, offering great tensile force while the outer is rubber molding cover with excellent impact-absorbency. The mold-in extension is H07RN-F rubber cables (overall length 1M) with fire retardant and oil resistant specs. It is wired in parallel or series.



YS-2.5



YS-2.5-CEE



YS-2.5/S-CEE



**YOUTUBE
Y SPLITTER
(TWOFER)**



YS-4.0



YS-4.0-CEE



Parallel / Series sticker mark with transparent heat-shrink sleeve identify the wirings clearly.

Part Number	Description
YS-2.5	Y Splitter, 3 x 2.5mmsq rubber cable, length 1M, parallel wired
YS-2.5/S	Y Splitter, 3 x 2.5mmsq rubber cable, length 1M, series wired
YS-2.5-CEE	Y Splitter, 3 x 2.5mmsq rubber cable, length 1M, parallel wired with 16A CEE form connectors
YS-2.5/S-CEE	Y Splitter, 3 x 2.5mmsq rubber cable, length 1M, series wired with 16A CEE form connectors
YS-4.0	Y Splitter, 3 x 4.0mmsq rubber cable, length 1M, parallel wired
YS-4.0-CEE	Y Splitter, 3 x 4.0mmsq rubber cable, length 1M, parallel wired with 32A CEE form connectors

Note: Parallel is a consistent voltage in circuit, and current is shared between the two instruments. The series wired, the current through each of the lighting instruments is the same, and the voltage across the lighting instruments is the sum of the voltages across each lighting instruments.

3-Phase Y-Splitter fan-out cable set is taking three phase power and making three single phase outlets. It is fabricated with two layers. The inner core is PVC injected molding with internally wired, offering great tensile force. The outer is rubber molding cover with excellent impact-absorbency and insulation. This Y splitter is embossed with identification marks showing where each of phase is going. Molded with H07RN-F rubber cables for fire retardant and oil resistant.



YS-16331

3-Phase Y Splitter, fan-out to three single phase, length 1M



YS-16331-CEE

3-phase Y splitter to three single phase, length 100cm, parallel wired with 16A CEE connectors

Specification

1. Input cable: 5 x 2.5mmsq H07RN-F
2. Output cable: 3 x 2.5mmsq H07RN-F
3. Clear phase identification for each outlet cable
4. Overall length 100cm (without connector)



**YOUTUBE
THREE-PHASE
Y SPLITTER
(TWOFER)**

This is three phase fan-out Y cable set for max. 32A capacity in total. Fabricated of PVC inner layer with rubber molding outside, it has excellent performance in insulation and impact absorbency. Molded with 5 core x 4.0mmsq H07RN-F rubber cable for fire retarded and oil resistant.



YS-32323

3-phase Y splitter, fan out to two three phase, length 1M, parallel wired



YS-32323-CEE

3-phase Y splitter, fan out to two three phase, length 1M, parallel wired with 32A CEE form connectors

Specification

1. Max. 32A (415V) three phase Y splitter
2. Input cable: 5 x 4.0mmsq H07RN-F
3. Output cable: 5 x 4.0mmsq H07RN-F
4. Overall length 100cm (without connector)

Kupo 19pin cable set is assembled with superior cable which is made of matte black pressure extruded PVC thermoplastic compound. Interstices filled to reduce movement and twisting of cores. 17 x black conductors + 1 ground conductor. Configuration of cores corresponds to industry standard 19-pin connector contacts and sequentially numbered with white ink every 25 mm. Flam retarded to IEC332-3, CE 20-22 11. Excellent resistance to most organics and inorganic chemicals. In accordance with CE73 / 23EEC.
 1. Working Voltage: 300 / 500V
 2. Test Voltage: 2500V
 3. Working Temperature: -5°C / +70°C (portable usage); -30°C / +70°C (installation usage)

Multi-cable Extension



- EXE18/1.5-5** Cable Assembly (5M)
- EXE18/1.5-10** Cable Assembly (10M)
- EXE18/1.5-20** Cable Assembly (20M)
- EXE18/1.5-30** Cable Assembly (30M)
- 18C x 1.5 mmsq multi-cable, PLS-5219LM+PLS-5219LF

- EXE18/2.5-5** Cable Assembly (5M)
- EXE18/2.5-10** Cable Assembly (10M)
- EXE18/2.5-20** Cable Assembly (20M)
- EXE18/2.5-30** Cable Assembly (30M)
- 18C x 2.5 mmsq multi-cable, PLS-5219LM+PLS-5219LF

Multi-cable Extension



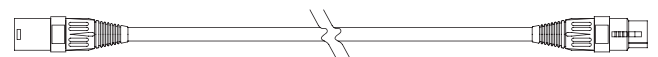
- TF18/1.5-1** Cable Assembly (1M)
- TF18/1.5-2** Cable Assembly (2M)
- 18C x 1.5 mmsq multi-cable, PLS-5219LM+ 2 PLS-5219LF
- TF18/2.5-1** Cable Assembly (1M)
- TF18/2.5-2** Cable Assembly (2M)
- 18C x 2.5 mmsq multi-cable, PLS-5219LM+2 PLS-5219LF
- TFF18/1.5-1** Cable Assembly (1M)
- TFF18/1.5-2** Cable Assembly (2M)
- 18C x 1.5 mmsq multi-cable, PLS-5219LF+2 PLS-5219LM
- TFF18/2.5-1** Cable Assembly (1M)
- TFF18/2.5-2** Cable Assembly (2M)
- 18C x 2.5 mmsq multi-cable, PLS-5219LF+2 PLS-5219LM

Head-to-ballast Cable



- HB-1.2K-7M** Cable Assembly (7M)
- HB-1.2K-15M** Cable Assembly (15M)
- 1.5 mmsq, WPS-2407LM-W+WPS-2407LF-W (ARRI 575W/1200W)
- HB-4K-7M** Cable Assembly
- HB-4K-15M** Cable Assembly
- 2.5 mmsq, WPS-2407LM-O+WPS-2407LF-O (ARRI 2500W/4000W)
- HB-6K-7M** Cable Assembly (7M)
- HB-6K-15M** Cable Assembly (15M)
- 3C x 16 mmsq+3C x 1.5 mm, WPS-2806LM+WPS-2806LF (ARRI 6000W)
- HB-12K-7M** Cable Assembly (7M)
- HB-12K-15M** Cable Assembly (15M)
- 4C x 16 mmsq+5C x 1.5 mm, WPS-2809LM+WPS-2809LF (ARRI 12KW)
- HB-18K-7M** Cable Assembly (7M)
- HB-18K-15M** Cable Assembly (15M)
- 4C x 16 mmsq+5C x 1.5 mm, WPS-2809LM+WPS-2809LF (ARRI 18KW)

DMX Data Transmission Cable



- KCWDP222TBK**
Dataplex 1-pair, 22AWG
- KCWDP224TBK**
Dataplex 2-pair, 22AWG

**ID Ring is designed for identification.
Six standard colors are available.**

- ID RING-W White Color
- ID RING-B Blue Color
- ID RING-R Red Color
- ID RING-Y Yellow Color
- ID RING-P Purple Color
- ID RING-GN Green Color

Break-out or break-in cable set is assembled with superior H07RN-F cable. Made of special cross-inked elastomer for excellent insulation. Great suppleness offering better resistance to inclement environmental condition to oils and greases, as well as adverse chemicals and thermal effects. In accordance with RoHS and IEC/EN 60332-1-2 standard. Ideal for installation on equipment in continual and interrupted operation under aggressive condition such as construction site vehicles, generator, pumps and other most extreme and severe usage industry applications. Break-in(fan-in)is also available upon request.

1. Working Voltage: 450 / 750V
2. Working Temperature: -30°C / +60°C (max. conductor temperature in service +85°C)



Cable: H07RN-F 3x1.5mmsq or 2.5mmsq
Connector: 19pin (input) / CEE 16A (output)



Cable: H07RN-F 3x1.5mmsq or 2.5mmsq
Connector: 19pin (input) / Stage Pin 20A (output)



Cable: H07RN-F 3x1.5mmsq or 2.5mmsq
Connector: 19pin (input) / Powerlead 20A (output)



Cable: H07RN-F 3x1.5mmsq or 2.5mmsq
Connector: 19pin (input) / Powerlead T1 20A (output)



Cable: H07RN-F 3x1.5mmsq or 2.5mmsq
Connector: 19pin (input) / Schuko 13A (output)

BK3/1.5-1.2

H07RN-F 3 x 1.5mmsq & H07RN-F 3 x 2.5mmsq
1.2M with 19pin Soca connector (input) / Output: Stage Pin 20A

BK3/1.5-1.2-CEE

H07RN-F 3 x 1.5mmsq & H07RN-F 3 x 2.5mmsq
1.2M with 19pin Soca connector (input) / Output: CEE 16A

BK3/1.5-1.2-SCHUKO

H07RN-F 3 x 1.5mmsq & H07RN-F 3 x 2.5mmsq
1.2M with 19pin Soca connector (input) / Output: Schuko 13A

BK3/1.5-1.2-PL

H07RN-F 3 x 1.5mmsq & H07RN-F 3 x 2.5mmsq
1.2M with 19pin Soca connector (input) / Output: Powerlead 20A

BK3/1.5-1.2-PLT1

H07RN-F 3 x 1.5mmsq & H07RN-F 3 x 2.5mmsq
1.2M with 19pin Soca connector (input) / Outout: Powerlead T1 20A

We supply variety of power extension cable sets with the commonly used connectors in entertainment lighting industry including Stage Pin, Turn-lock, NEMA locking type, Schuko and CEE forms. Cable insulation varies from 105° rated PVC to H07RN-F neoprene rubber with UL or VDE certified and RoHS compliance. Flame-retarded, flattening and abrasion resistance.



Cable: H07RN-F 3 x 2.5mmsq
Connector: 16A 2P+E CEE form (110V)



Cable: H07RN-F 3 x 2.5mmsq
Connector: 16A 2P+E CEE form (230V)



Cable: H07RN-F 3 x 4.0mmsq
Connector: 32A 2P+E CEE form (230V)



Cable: H07RN-F 5 x 2.5mmsq, or PVC 4C x 14AWG
Connector: 16A 3P+E CEE form (380V)



Cable: H07RN-F 5 x 2.5mmsq, or PVC 4C x 14AWG
Connector: 32A 3P+N+E CEE form (380V)



Cable: H07RNF- 3 x 2.5mmsq
Connector: 16A Powerlead T1



Cable: H07RN-F 3 x 2.5mmsq
Connector: 20A Powerlead



Cable: H07RN-F 3 x 2.5mmsq
Connector: 20A 2P+E Stage Pin



Cable: H07RN-F 3 x 2.5mmsq
Connector: NEMA L5-20 or L6-20



Cable: H07RN-F 3 x 4.0mmsq
Connector: NEMA L5-30 or L6-30

Introducing the RJ45 to XLR Data Distribution Box, the perfect solution for distributing DMX data from your device in between EtherCon (RJ45) and 5Pin XLR connectors. Crafted from high-quality aluminum, this compact and durable box is designed for portable use and built to last. Its sleek and sturdy housing provides reliable protection for your valuable data connections, making it the ideal choice for professionals on the go. With its RJ45 and 4 x XLR connectors, this Data Distribution Box is versatile enough to be used in a wide range of applications, including live events, concerts, theaters, and more. It provides a seamless and reliable connection between your EtherCon (RJ45) device and your XLR equipment, allowing you to focus on your performance without worrying about data loss or interference. Whether you're a DJ, lighting designer, sound engineer, or any other professional in need of a reliable data distribution solution, the Data Distribution Box is the perfect choice.



PDB-E1401M RJ45 to 4 x 5Pin XLR Male

Features

- Designed as EtherCon (RJ45) to XLR adapter for DMX data connection. No sticky, glue residual free
- Made of sturdy aluminum housing, lightweight and durable
- Surface treatment with black non-conductive hard anodizing
- Equipped with low profile bracket for attaching lighting clamp
- Available with 5Pin male XLR or 5Pin female XLR connectors

Pin and wiring definition of this box refers to the following:

Wiring / Connector	XRL2	XRL3	XRL4
Data Common	Pin 1	Pin 1	Pin 1
White & Orange		Pin 3	
Orange		Pin 2	
White & Green	Pin 3		
Green	Pin 2		



PDB-E1401F RJ45 to 4 x 5Pin XLR Female

Low profile bracket makes the box easy to assemble with a lighting clamp for truss mounting



Wiring / Connector	XRL1	XRL2	XRL3	XRL4
White & Blue				Pin3
Blue				Pin2
White & Brown	Pin 3			
Brown	Pin 2			

Kupo RJ45 to XLR adapter cable is designed to provide seamless connectivity between devices with different ports. This versatile cable features an RJ45 connector on one end and a 5pin XLR connector on the other, allowing you to connect devices with ease.

Crafted using high-quality CAT6 UTP 24 AWG black cable, this adapter cable delivers reliable performance and durability, ensuring long-lasting use. The cable measures 50cm in length, and longer length is available on request. Available in two versions - the 5pin XLR male and the 5pin XLR female. Choose the version that best suits your needs and enjoy effortless connectivity between devices.

Features of CAT6 UPT 24 AGW cable

- Pure copper wire cores for low impedance and minimal signal loss
- 8-core twisted pair structure minimizes interference for stable signal transmission
- PVC outer coating is durable, tough, and resistant to deformation
- Passed Fluke test for quality and performance assurance
- Available with 5Pin male XLR or 5Pin female XLR connectors



EXE-RJ2X5M-05
50cm CAT6 Adapter Cable, RJ45 To 5Pin XLR Male



EXE-RJ2X5F-05
50cm CAT6 Adapter Cable, RJ45 To 5Pin XLR Female

All-new E-Armor Premium makes DMX signal connecting over Ethernet cable easiest ever. With increasing adoption of Ethernet cable by audio, LED screen and lighting equipments, conventional RJ45 is not enough to fulfill the diverse applications, particularly when DMX signal have to daisy chain over different devices and might encounter compatibility issue. E-Armor Premium comes to eliminate the inconvenience and bring up most comfort while handling such signal cable set.



E-ARMOR-P Ethernet Armor (Premium)



Standard Package



E-Armor Premium features rapid removal of front shell, which turns this Ethercon-compatible to RJ45 immediately. No need to dismantle while using it to attach RJ45 outlet. Front shell is made of die-cast aluminum alloy, rigid and free from deformation over frequent handling. RJ45 latch protector ensures latch won't get broken easily in heavy operation.



1 Take the front shell.



2 Align the key to the slot.



3 Attach, turn, snap!



4 Voila! From RJ45 to Ethercon-compatible is just that easy!

When you need to lay out multiple data cables, whether it is a need for fixed installation or temporary event, Kupo loom cables series can greatly save you much of installation time. Clearly marked with numbers for quick identification. Durable cable jacket ensures the protection for each circuit. Suitable for concert, theater, studios, convention centers, and etc.

3pin or 5pin DMX loom cable



Item	Description
EXE-L8DMX5	8 way DMX loom cable, with 5pin XLR connectors
EXE-L4DMX5	4 way DMX loom cable, with 5pin XLR connectors
EXE-L2DMX5	2 way DMX loom cable, with 5pin XLR connectors

Item	Description
EXE-L8DMX3	8 way DMX loom cable, with 3pin XLR connectors
EXE-L4DMX3	4 way DMX loom cable, with 3pin XLR connectors
EXE-L2DMX3	2 way DMX loom cable, with 3pin XLR connectors

*Please specify the length on the order

Cat5E or Cat6E loom cable



Item	Description
EXE-L2C5E	2 way Cat5E loom cable, with RJ45 connectors
EXE-L4C5E	4 way Cat5E loom cable, with RJ45 connectors

Item	Description
EXE-L2C6E	2 way Cat6E loom cable, with RJ45 connectors
EXE-L4C6E	4 way Cat6E loom cable, with RJ45 connectors

*Please specify the length on the order

Rolling a cable can be easy, but rolling couple of dozens can be annoying. Multi-cable roller makes life easier. It is an easy-to-use gear to organize the cable set. With several steps of assembly, you can build it up and then roll different kinds of cable effectively. Take less effort, do a nice job, all you need to do is to run your cable set with this machine. Getting a great cable management done can be that simple.



**YOUTUBE
MULTI-CABLE ROLLER
(2021 NEW FEATURE)**

CR-234 Multi-Cable Roller

Weight: 75 kgs
 Dimension: 110(L) x 105(W) x 148(H) cm
 Cable drums sizes: 20 / 30 / 40 cm
 Material: Cold rolled steel plate
 Power Input: 110VAC/60Hz, 220VAC/50Hz
 Power Consumption: 110V/6A, 220V/3A
 Roller Speed: 20 RPM



20 / 30 / 40 cm
Adjustable cable drums.



Feasible for Power Extension
Cable.



Feasible for SOCA Extension
Cable.



Easy assembly with allen key
wrench and other ordinary
tools.



Collapsible support arm makes
operation quick and easier.



Roller stops immediately
whenever foot pedal disen-
gaged.



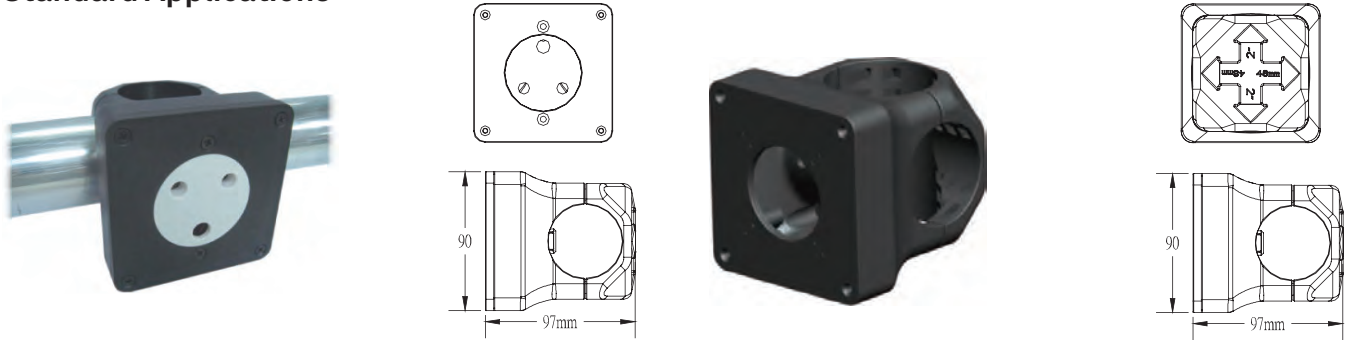
It runs clockwise or count-
er-clockwise.



Feasible for Data extension
cable.

Versatile Socket is fabricated by injection-molded ABS featuring impact resistance, maximum toughness and also flame-retarded. Two-way assemble housing provides the selection to fit either 2" or 48mm tube systems, which makes it an ideal power outlet for various installation applications. It is designed for 15A round pin BS546, 13A rectangular pin BS1363, 16A CEE form and 16A Schuko connectors.

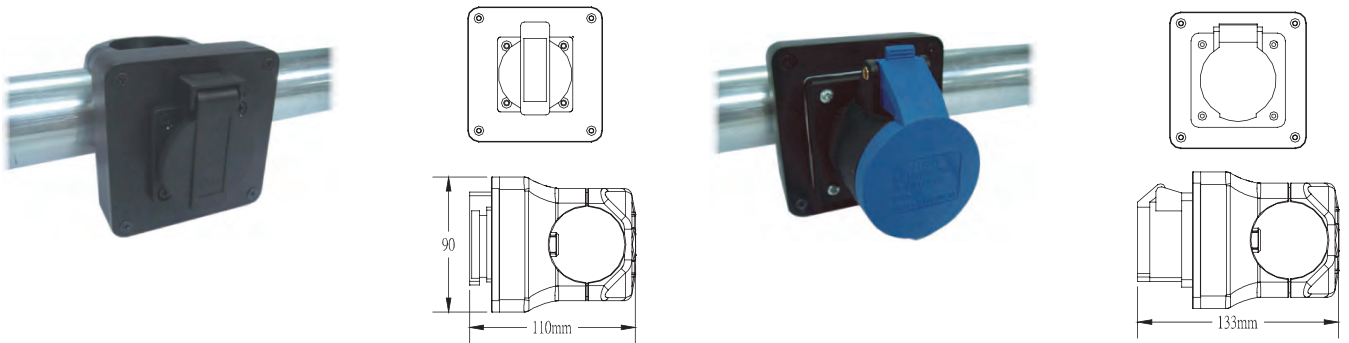
Standard Applications



VS-4851-B Versatile Socket

For 15A / BS546 & 13A / BS1363

Standard package w/ 8 fixing screws feasible for tube sizes 48mm and 2".



VS-4851-M Versatile Socket

For Schuko or CEE form 16A connector

Other Applications (Customized)



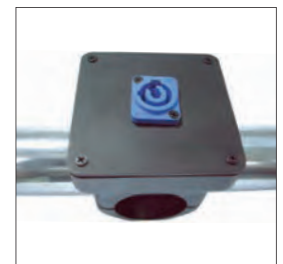
VS-4851-1 Versatile Socket

Blank Plate Only (w/o fixing base)

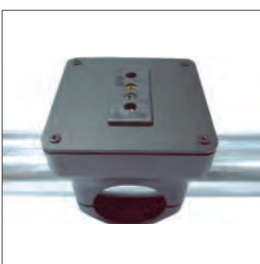
AUS/NZ 10A



Powerlead



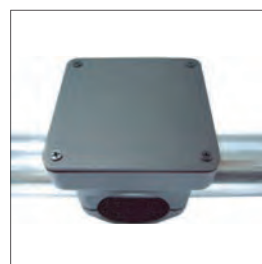
Stage Pin



Speakcon



Blank



XLR

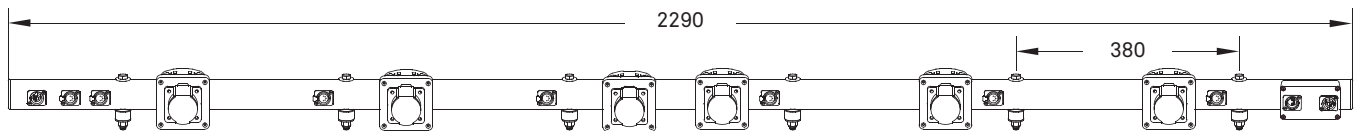


The VS Lighting Bar is launched with the high quality that Kupo Par Bar has been known for, featuring new construction of the bar with versatile socket. With the classic 3.25mm(T) x 51mm(dia.) aluminum alloy tube in selective length together with ABS-injected versatile socket for seating the power panel, VS Lighting Bar is going to fulfill both conventional and uprising mainstream LED fixtures in entertainment field. VS Lighting Bar has diverse models. The DMX model is wired with 20A power connector for main input and output, as well as 5-pin XLR for DMX in and thru connection. It is available in 4-outlet and 6-outlet, and each outlet comes one VS socket with Schuko female and DMX female for power and data connection for every single fixture. The DMX model is catering to the demand of LED fixtures. The conventional model is wired with 19-pin panel male for dimmer control, and Schuko or CEE is mounted on versatile socket in this range. Special configuration is available upon request.

Schuko



CEE



PB-606VSS-P2 Polish, with Schuko Outlet

PB-606VSC-P2 Polish, with CEE Outlet

PB-606VSS-B2 Black, with Schuko Outlet

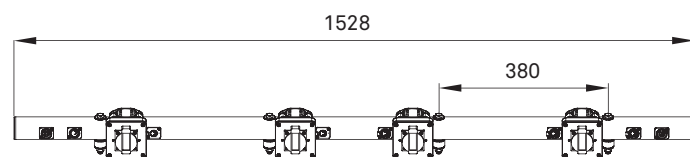
PB-606VSC-B2 Black, with CEE Outlet

6-Way Lighting Bar each with 20A power in/out connectors, versatile socket & Schuko or CEE outlet; each outlet with 5-pin XLR DMX out.

Schuko



CEE



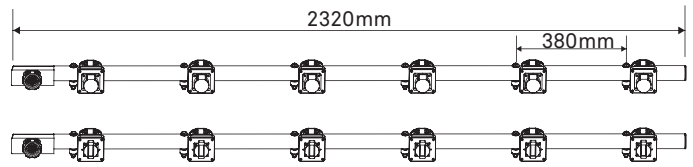
PB-604VSS-P Polish, with Schuko Outlet

PB-604VSC-P Polish, with CEE Outlet

PB-604VSS-B Black, with Schuko Outlet

PB-604VSC-B Black, with CEE Outlet

4-Way Lighting Bar each with 20A power in/out connector, versatile socket & Schuko or CEE outlet; each outlet with 5-pin XLR DMX out.



PB-606SC-P(B) / VSC Classic Light Bar

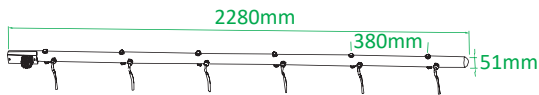
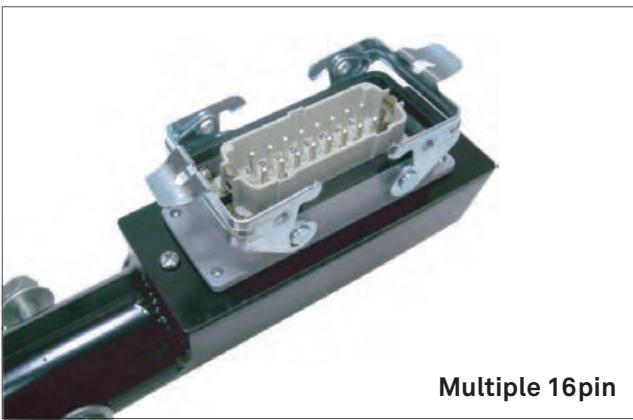
Light Bar with 19pin panel male as input; 6-way out with versatile socket and CEE panel female outlet.

PB-606SC-P(B) / VSS Classic Light Bar

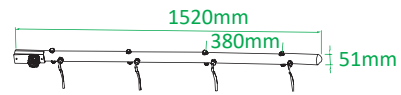
Light Bar with 19pin panel male as input; 6-way out with versatile socket and SCHUKO panel female outlet.

All KUPO lighting bars are manufactured from dia. 51mm x 3.8mm thickness aluminum tube with a cast aluminum box. It comes with 65cm 3C x 1.5mmsq (16AWG) silicon cable for power connection. The following is our range of light bars; other variations of lighting bars are available upon request.

Classic Light Bar



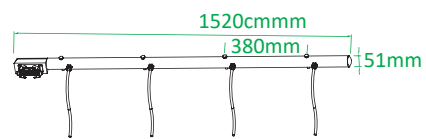
PB-606SC-B 6 circuits wired from 19 Pin chassis
PB-606SC-P connector to 6 x 65cm tails black / polish.



PB-604SC-B 4 circuits wired from 19 Pin chassis
PB-604SC-P connector to 4 x 65cm tails black / polish.



PB-606HC-B 6 circuits wired from 16 Pin male chassis
PB-606HC-P connector to 6 x 65cm tails black / polish.



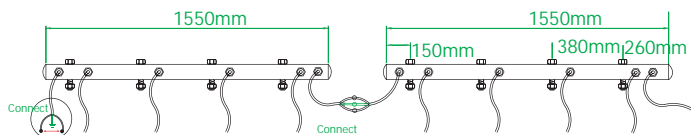
PB-604HC-B 4 circuits wired from 10 Pin male chassis
PB-604HC-P connector to 4 x 65cm tails black / polish.



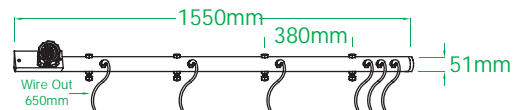
PB-6062SC-B 6 circuits wired from 19 Pin male to 19 Pin female
PB-6062SC-P chassis connector to 6 x 65cm tails black / polish.



PB-604ASC-B Aerobar series wired from input
PB-604ASC-P to 4 x 65cm black / polish.



PB-604ASC wiring in 220V



PB-6042SC-B Aerobar series 4 circuits wired from 19 Pin
PB-6042SC-P chassis connector to 4 x 65cm tail with
 2 more circuits at bar end black / polish.

KU-HAND is designed for multi-task to protect users. Ergo-oriented brings comfort fit to all users. Padded mesh on leather top is for excellent ventilation; two-way stretch creates flexibility. Synthetic leather palm is soft and durable. Extra leather layer on palm, index finger and thumb for better strength and protection. Smooth texture of fingers and reinforced fingertips make perfect on handling objects and reduce wear.



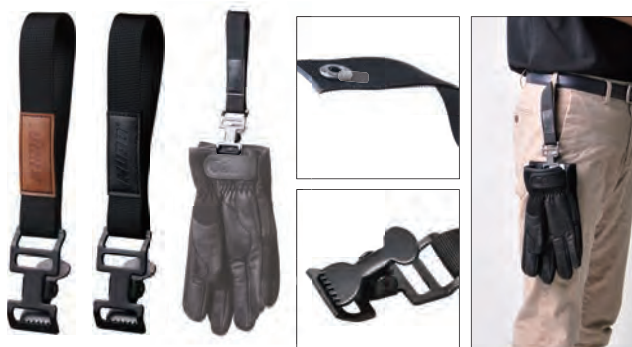
YOUTUBE
KUPO KU-HAND GRIP
GLOVE (KH-55 SERIES)

- KH-55MB** KU-Hand (Medium)

- KH-55LB** KU-Hand (Large)

- KH-55XLB** KU-Hand (Extra Large)

- KH-55XXLB** KU-Hand (Double Extra Large)



- GC-2525BK** Glove Gripper (Black Label)
- GC-2525BN** Glove Gripper (Brown Label)

Made of heavy duty 25cm wide nylon strap with a powerful alligator spring clip, the Kupo Glove Gripper is designed for secure your gloves, hats & tools and keep them handy at all times. Features an instant strap button allow to easily attaches to your belt loop, mic loop, d-ring, tool belt or anything else you can find.



KCP-349 Utility Glove Gripper

Primary designed for holding a work glove with the PVC coated spring clamp, the utility glove gripper comes with a swivel snap locking hook allowing you to keep anything clipped on a waist belt or tool bag. In addition, the utility glove gripper has many different uses for example: clipping tools, golf towels, hats, wet suits, back packs, and more.

With adhesive lined up inside, it is made for providing excellent electrical insulation and protection to cable joint and termination. High impact, abrasion and corrosion resistance. UV and waterproof while sealed. Easily fit over irregular shape and large connectors.



- KAMT-75** Adhesive Heat-Shrink Tube

- KAMT-55** Adhesive Heat-Shrink Tube

- KAMT-28** Adhesive Heat-Shrink Tube



Specification

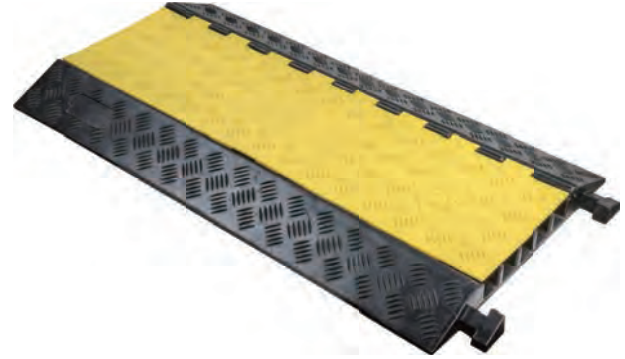
Part Number	KAMT-28	KAMT-55	KAMT-75
Size (as supplied) /mm	28	55	75
Size (as recovery) /mm	6	16	22
Wall Thickness (as recovery) / mm	2.5	2.7	3.0
Standard Length	1.22 m		
Operatino Temperature (Degree)	-55~100		
Min. Shrink Temperature (Degree)	80		
Min. Fully Recovery	120		
Temperature (Degree)			
Water Absortion	< 0.15%		
Shrinkage Ratio	3:1		

CABLE CROSSOVER

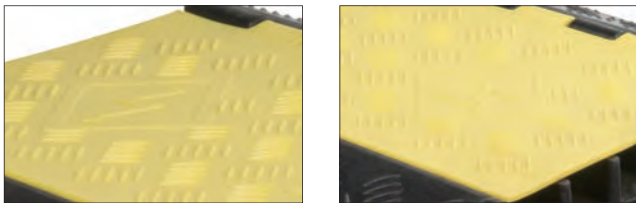
The cable crossover is built to protect cables from moisture, oils, solvents, and frame as a shield for impact resistance and load bearing. Kupo have diverse cable crossovers which are made of high density press-molded rubber, backed with sturdy visible yellow lid. Each has dog bone connectors to get connected to create any desired length. Easy to operate and protect the cable through the doorway and eliminate the damage. Operation temperature is -40 C° to 49 C° degree and the load bearing capacity is 2,000 kg. Ideal for indoor and outdoor use, such as concerts, stages, hotels, shopping mall, sports events, school, parking lots, warehouse, construction places and the likes.



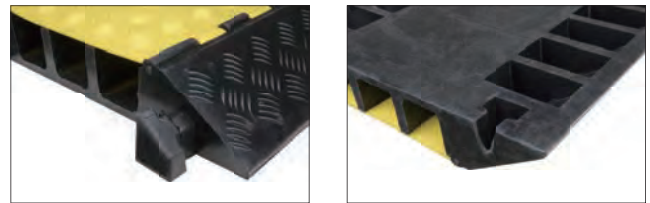
Slip-free and sturdy rubber base, grooved for accommodating cables, provides superior wire protection



Yellow hinged PVC lid features high visibility as a sign for urging the caution

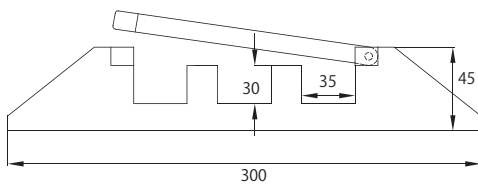


Clear warning sign on the cover indicates a potentially hazard condition



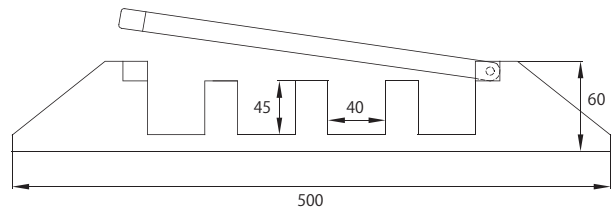
Dog bone connector, featuring male and female end, makes multiple cable crossover in a row

KCG-330



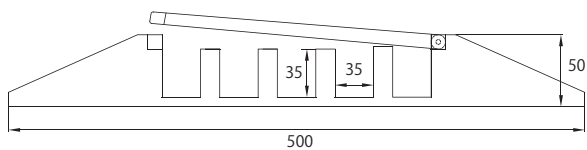
3 CABLE DUCTS		
Insulated: YES	Height: 45mm	9kg
Length: 1000mm	Ducts Height: 30mm	
Width: 300mm	Max. Load: 2,000Kgs	

KCG-445



4 CABLE DUCTS		
Insulated: YES	Height: 60mm	14kg
Length: 900mm	Ducts Height: 45mm	
Width: 500mm	Max. Load: 2,000Kgs	

KCG-535



5 CABLE DUCTS		
Insulated: YES	Height: 50mm	12.5kg
Length: 900mm	Ducts Height: 34mm	
Width: 500mm	Max. Load: 2,000Kgs	



Solid nylon rod fixed to support the hing

Ideal for sound, lighting and audio/video equipment. EZ-Tie is made by Swiss-made looms and strictly quality control to assure consistent quality with superior performance. Hook is made from A grade Nylon and has high peel and shear strength with extended cycle life with average 55 hooks per sq inch. It is forming with high temperature to keep a better elasticity and durability. The un-napped loop brings a very high cycle life. EZ-TIE has been tested under +93 degree C and -56.7 degree C for lasting 1000 hrs matting without failed. The working temperature from 80 degree C to -20 degree C. High cycle life with over 10,000 closures. Washable, UV resistant to prevent discoloration.

Applications:

1. Help to organize cable set neatly with diverse colors.
2. Write-on identification label for great cable organization.
3. Sturdy POM buckle offers greater holding power against movement, and makes extension easily for longer use.
4. Perfect for use as tie down for attaching equipment on the desk or table.
5. Convenient with wrapping up lighting stand legs to keep them well fastened for transportation.
6. Ideal for use as temporary hanger during installation.

Large EZ-TIE



EZ560-B Black

Size: 5.0 x 60 cm / Per Pack: 5 pcs



EZ560-R Red

Size: 5.0 x 60 cm / Per Pack: 5 pcs



EZ560-Y Yellow

Size: 5.0 x 60 cm / Per Pack: 5 pcs



EZ560-BL Blue

Size: 5.0 x 60 cm / Per Pack: 5 pcs



EZ560-W White

Size: 5.0 x 60 cm / Per Pack: 5 pcs



Small EZ-TIE



EZ241-B Black

Size: 2.0 x 41 cm / Per Pack: 10 pcs



EZ241-R Red

Size: 2.0 x 41 cm / Per Pack: 10 pcs



EZ241-BL Blue

Size: 2.0 x 41 cm / Per Pack: 10 pcs



EZ241-W White

Size: 2.0 x 41 cm / Per Pack: 10 pcs



EZ241-Y Yellow

Size: 2.0 x 41 cm / Per Pack: 10 pcs



The simple cable ties are lighter and thinner than the deluxe cable ties but are still incredibly strong. They feature an opening in the "head" of the tie that the tip of the "tail" goes through to pull it snug. They also come in five different color options to easily categorize your cables.



MEZ220-B Black

20 mm(W1) x13 mm(W2)x200mm(L) / 50 pcs



MEZ220-R Red

20 mm(W1) x13 mm(W2)x200mm(L) / 50 pcs



MEZ220-Y Yellow

20 mm(W1) x13 mm(W2)x200mm(L) / 50 pcs



MEZ220-BL Blue

20 mm(W1) x13 mm(W2)x200mm(L) / 50 pcs



MEZ220-W White

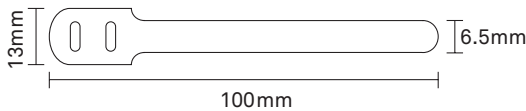
20 mm(W1) x13 mm(W2)x200mm(L) / 50 pcs



YOUTUBE
KUPO SIMPLE CABLE
TIES (MEZ-TIE)



EZ Tie Petite is a small cable holder ideal for USB and microphone cable. It keep tiny cable neat and trim without using bulky cable tie. Two perforated slots for double wrap with cable firmly at all times. Each pack comes with 7 units. Reusable and easy to use.

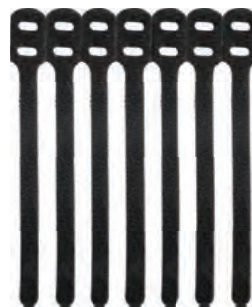
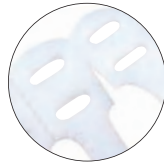


MEZ-P01B Black

EZ Tie Petite, 7pcs per pack

MEZ-P01W White

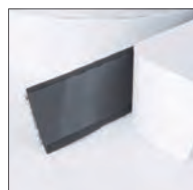
EZ Tie Petite, 7pcs per pack
- Keep small cable neat and trim.
- Two perforated slots for double wrap with cable firmly at all times.



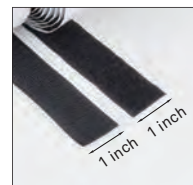
This hook and loop tape is made of high quality nylon fabric with superior hot melt adhesive, delivering an excellent and strong holding force when hook and loop attach each other. It is made of 25mm (1") width and 5 meter long. Versatile and easy to use. Apply this tape while you need to fix specific product and cut the length you want. Feasible for smooth and flat surface such as walls, plastics, glasses, wood and other clean surface. Each package includes 1 x 5M hook tape and 1 x 5M loop tape.

Adhesive Feature

1. Loop Tack: 3.3 kgs (+/- 0.5) kg/in2
2. Peel Adhesion: 3.2 kgs (+/- 0.5) kg/in2
3. Holding Power: 4 psi (12 hrs)
4. SAFT Test: 65 (+/-5) Celsius degree



Backing with superior adhesive.



Supplied with 1"(25mm) width x 5 meter long.



EZ2500-B Adhesive Hook & Loop Tape

2.5cm(W) x 5.0m(L), Black
Material: Nylon fabric with hot melt pressure sensitive adhesive.
High & Low temperature applicable (from 0 to 65°C)



Application:

Upgrade your CROXS case with an additional storage space.



Attach the loop tape on the CROXS case.



Apply a car trunk storage bag.

This hook and loop Nylon strap grips and secures cabling or wiring you wrap. It comes seamlessly in a roll and can be cut into the length for your need. Ideal for organizing all of the loose cables or odd shape gears. Customize the length for your need to make your own cable tie. Reusable and versatile. Available with six colors.

Specification

- 1. Material: Nylon (hook & brushed fabric)
- 2. Peel Strength: 25g/cm, 3000 times
- 3. Shear Strength: 750g/cmsq, 3000 times
- 4. Working Temperature: -20°C to 65°C



MEZ-S1605BL Blue
Size: 16mm (width) x 5M (length)



MEZ-S1605R Red
Size: 16mm (width) x 5M (length)



MEZ-S1605Y Yellow
Size: 16mm (width) x 5M (length)



MEZ-S1605G Green
Size: 16mm (width) x 5M (length)



MEZ-S1605W White
Size: 16mm (width) x 5M (length)



MEZ-S1605B Black
Size: 16mm (width) x 5M (length)



MEZ-S3005BL Blue
Size: 30mm (width) x 5M (length)



MEZ-S3005R Red
Size: 30mm (width) x 5M (length)



MEZ-S3005Y Yellow
Size: 30mm (width) x 5M (length)



MEZ-S3005G Green
Size: 30mm (width) x 5M (length)



MEZ-S3005W White
Size: 30mm (width) x 5M (length)



MEZ-S3005B Black
Size: 30mm (width) x 5M (length)



Mounted with large metal eyelet, this cable holder is made with a sturdy Nylon loop and hook with excellent holding strength for handling heavy weight. Helps to keep cables in place and well-organized. With carabiner and additional clamp, cables can be attached on the truss, tube or pipe without much effort. Handy write-on area for custom identification and labeling. Maximum cable bundle diameter 10cm. Pack of 5 with twist locking aluminum carabiner.



EZ440CH-B Cable Holder

Maximum cable bundle diameter 10cm.
Pack of 5 with twist locking aluminum carabiner.



BG4506 6 Inch Heavy Duty Black Ball Bungees

Each bungee cord measures (4.5mm) 3/16" in diameter and has an attached black plastic ball measuring 28mm (1-1/8") in diameter. Set includes 50 ball bungees. Easy to use, quick to install. Just feed the elastic loop through a grommet until the plastic ball is flush, then attach the loop to a fixed point to secure a tarp. Great for securing textile on the butterfly frame, cables, stands, hoses, camping and tying down tarps and shades, etc. Elastic cord design allows for stretching and variations in length from 6" up to 8".

ELASTIC CABLE TIE

The elastic cable tie is made of stretchable and durable rubber material with wooden toggle allowing you to simply pull the elastic and over the toggle to assure a secure tie. Perfect cable management solution to keep your cables neatly coiled and free from damaging kinks. These great handy elastic cable ties are must-have for photographers movie makers, musicians, and audio professional to organize cords, cables, and stretching tarps.



Part Number	Description
BG5006R	ELASTIC CABLE TIE (10PCS/PACK) 6.0MM(W)* 5"(L)-RED
BG5006O	ELASTIC CABLE TIE (10PCS/PACK) 6.0MM(W)* 5"(L)-ORANGE
BG5006G	ELASTIC CABLE TIE (10PCS/PACK) 6.0MM(W)* 5"(L)-GREEN
BG5006BK	ELASTIC CABLE TIE (10PCS/PACK) 6.0MM(W)* 5"(L)-BLACK
BG5006BL	ELASTIC CABLE TIE (10PCS/PACK) 6.0MM(W)* 5"(L)-BLUE
BG5006Y	ELASTIC CABLE TIE (10PCS/PACK) 6.0MM(W)* 5"(L)-YELLOW
BG5006N	ELASTIC CABLE TIE (10PCS/PACK) 6.0MM(W)* 5"(L)-NATURAL
BG5006M	ELASTIC CABLE TIE (10PCS/PACK) 6.0MM(W)* 5"(L)-MIXED COLOR



Kupo delivers greatly versatile and most popular Gaffa Tape for holding and sealing needs in professional stage, photography, motion picture and television industries. With compound materials of natural rubber and synthetic resin, it has excellent tack and adhesion performance in wider temperature condition. Kupo Gaffa Tape has the highest tensile strength of any others, but also features easy-to-tear.

Features

- 1. Non-transferring adhesive tape; clean removal, leaving without residual.
- 2. Backing Material: Cloth with PE coated.
- 3. Adhesive: Natural rubber base.
- 4. Heat Resistance: 80 degree C / 180 min.
- 5. Tensile Strength: 12.5 (KGF / 25 mm).
- 6. Feasible for smooth, rough and irregular surface.



Gaffa Tape



GT-515B
48mm(W) x 15yd (L)



GT-515W
48mm(W) x 15yd (L)



GT-515GY
48mm(W) x 15yd (L)



GT-515R
48mm(W) x 15yd (L)



GT-515Y
48mm(W) x 15yd (L)



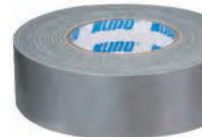
GT-515GN
48mm(W) x 15yd (L)



GT-515BU
48mm(W) x 15yd (L)



GT-550W
48mm(W) x 50m (L)



GT-550G
48mm(W) x 50m (L)



GT-550GN
48mm(W) x 50m (L)

Matte Gaffa Tape



GTM-515B
48mm(W) x 15yd (L)



GTM-515W
48mm(W) x 15yd (L)



GTM-550B
48mm(W) x 50m (L)



GT-550CKGN
48mm(W) x 50m (L)



Chromakey Gaffa Tape



GTM-550G
48mm(W) x 50m (L)



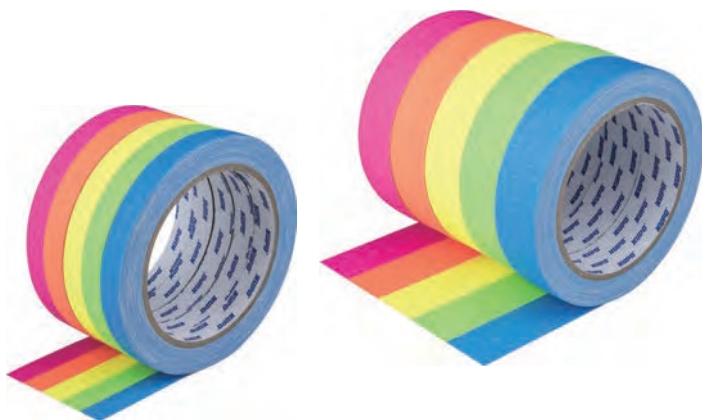
GTM-550LGN
48mm(W) x 50m (L)



GTM-550BU
48mm(W) x 50m (L)



Highly visible fluorescent colors with matte finish for various applications including audio/visual, television, photography, theatrical and motion picture industries. It sets clearly visible marks for actors, crew, musicians, and camera operators. It is also feasible for use in color-coding, labeling and marking. Easily manual tearing and durable. This multi-purpose tape offers excellent holding power, high tensile strength, and will be fluoresce-reactive under a black light.



Features

- Professional grade gaffer's tape
- High tensile strength and holding power
- Easy-to-tear by hand, and Writable surface
- Clean removal, without leaving residue

Specification

- Backing Material: Matte-Finish Coated Cloth
- Adhesive Material: Synthetic Rubber
- Tensile Strength: 87.6N/10mm
- Operating temperature: 10~90 degree C

Easy to tear

Diverse fluorescent colors

Tapes in Length 15 yard / Width 12mm



CSS-1215BU Blue



CSS-1215GN Green



CSS-1215OG Orange



CSS-1215PK Pink

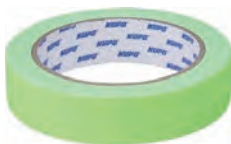


CSS-1215Y Yellow

Tapes in Length 15 yard / Width 24mm



CSS-2415BU Blue



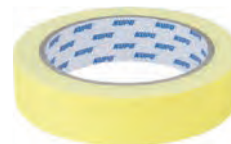
CSS-2415GN Green



CSS-2415OG Orange



CSS-2415PK Pink



CSS-2415Y Yellow

Glow-in-dark tape is ideal for the applications that requires visible light when luminaires go off. The luminous pigment can be activated by various light sources such as nature light, LED light, and UV black light. Expose to light source for 10 minutes, enjoy several hours of the luminous effect, and can be activated repeatedly. Easy to cut in the length you desire, and offer the safety marking on-site for your jobs.



Peel off the protection film and here to go

GT-2550 Glow in Dark Tape

Width: 25mm
Length: 5 meters

GT-5050 Glow in Dark Tape

Width: 50mm
Length: 5 meters



Luminous effect in the dark



Easy to cut in lengths



GT-0345 Gaffers Tape Holder Strap

Designed for easy to carry gaffers, spike & rolls of electrical tape on your belt or equipments to keep your hand free to work. Constructed from quality carabiner clip with chrome 'O' ring on a safety cable fabricated of galvanized steel wire (dia.3mm/ Length: 450mm) ensures a long lasting, durable product.



GT-0345-B Gaffers Tape Holder Strap

Designed for easy to carry gaffers, spike & rolls of electrical tape on your belt or equipments to keep your hand free to work. Constructed from quality carabiner clip on a safety cable fabricated of galvanized steel wire (dia.3mm/ Length: 450mm) ensures a long lasting, durable product. Safety cable is coated with transparent PVC plastic making the operation smoother.



GT-2540BK Gaffer Tape Holder Strap With Spring Hook (Black Label)

GT-2540BN Gaffer Tape Holder Strap With Spring Hook (Brown Label)

Constructed from durable nylon fabric, the Kupo gaffers tape holder strap, measured 25cm in length and 4cm in width, designed for easy to carry gaffers, spike & rolls of electrical tape on your belt to keep your hand free to work. It comes with aluminum spring hook that secures the holder to your belt effortlessly. The rigid release buckle also allows you to quick and secure put your tapes or tools on and off from the holder strap.



KD-C26 Cable Clip For Tube Size: 22~26 mm

The cable clips keep your cable and hex wrench gathered to the light stand. (Set of 4)

Specification

1. Material: Polyethylene Film
2. Adhesive: N/A
3. Tape Thickness: 0.05mm (2 Mils)
4. Tape Width: 75mm (3 inches)
5. Tape Length: 100m (328 feet)

Features

1. Easy to use, high visibility
2. No sticky, glue residual free
3. Strong, durability and reusable
4. Yellow color tape printed legend "CAUTION"



GTB-001 Barrier Tape

Size: 7.5 cm (W) x 100M (L) x 0.05 mm (T)
Color: Yellow with Black print (Caution)



KD-C40P Owl Clip (For Tube Size: 40mm to 50mm)

KD-C25P Owl Clip (For Tube Size: 25mm to 35mm)

Owl cable clips are designed to hold the power cable along with the lighting stand or round tube. Made of durable yet flexible injection PC in transparent finish. Accommodate two O.D. 10mm and one O.D. 6.5 mm wires. Reusable and easy to mount onto 40-50 mm tube in one hand operation. (Set of 4)



KD-C55 Cable Clip (For Tube Size: 50mm to 55mm)

This cable clip fits tube sizes from 50mm to 55mm and it can keep your cable gathered to a light stand. The extra Allen wrench holders allow storing wrenches on the light stand to ensure this essential tool is always on hand. (Set of 4)

Designed primarily for camera assistants in the film industry and suitable to anyone who needs rapid access to various tools. The Kupo Utility AC bag is made by 1,000 Denier cordex textured nylon fabric with a water resistant polyurethane coating on the inside. Inside the main compartment is a separate pouch, as well as a Velcro see-through mesh pocket on the underside of the main flap which is ideal for storing media cards and other small items. The bag fits utility belts up to 2 inches in width allowing you to take the bag on and off super easily. Exterior of the bag has 6 slip pockets (two of them are with a Velcro flap) which can hold dry-erase markers, sharpies, pens, chalk, pencils, hex keys, screw drivers, Leatherman and Maglite for easy access. An ideal AC bag that keeps all your essential tools and accessories organized.



YOUTUBE
KUPO UTILITY
AC BAG (KSB-010)



KSB-010 Utility AC Bag

Exterior Size: 24.5cm(9.65")(L) x 10cm(3.94")(W) x 16cm(6.3")(H)
Interior Size: 20cm(7.87")(L) x 9cm(3.54")(W) x 14.5cm(5.71")(H)

More Features:



Velcro top flap ensures tools won't accidentally fall out when on a ladder.



A slip bag on the side of the bag with a Velcro flap for additional storage.



The top flap can be folded and attached to the cover for easy access without noise.



D-Rings on one side of the bag for attaching a gaffa tape holder strap or glove gripper.



The side metal hook is perfect for mounting a tape measure.



Can be easy carried on a 2.5" width belt.



Features:

1. Fabricated of 2"(48mm) durable nylon fabric
2. Compatible with KUPO Utility AC Bag
3. Fit waist size 30"-45"
4. Quick release buckle with safety lock

KSB-002 Tool Belt

This 2"(48mm) belt is designed to carry add-on accessories for camera man or film screws. Made of durable nylon fabric to hold tool pouches or storage bags. Velcro-adjustable to fit the waist size from 30" up to 45". Heavy-duty quick release buckle with safety lock prevents accidental release.



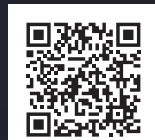
www.fortlamps.ru +7495 749 66 09 info@fortlamps.ru

KUPO CO., LTD (Headquarters)
Tel : +886-2-2999-1906
Fax: +886-2-2999-1955
E-mail: stage@kupo.com.tw

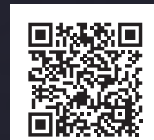
**6F, No 4, Lane 609, Sec.5, Chung Shin Rd., San Chung District,
New Taipei City 24159, Taiwan**

Kupo Shanghai (Branch office)
Tel : +86-21-5677-9636

www.stage.com.tw



Product catalog download



Product video channel

[NOTE] Whilst every effort has been made to ensure the accuracy of the information / material contained within this catalogue, Kupo does not accept any liability for errors or omissions. Specifications and technical data are provided for guidance purposes only. To improve products, we reserve the right to make any variation in design or construction to the equipment description without prior notice.

www.fortlamps.ru