

SEETRONIC
Ideas for Connection

Product Catalogue 2023





Table of Contents

	Page
RJ45 Connectors	4
01 Series Indoor	5
02 Series Outdoor	9
05 Series Outdoor	12
RJ45 Accessories	17
Power Connectors	18
Indoor Series	19
NW Series Outdoor	20
X Series Outdoor	22
G Series Outdoor	26
Combined Power Chassis	27
Power Connector Coupler	28
XLR Connectors	29
M Series Indoor	30
S Series Indoor	31
H Series Indoor	32
W Series Outdoor	34
Combined XLR & Jack Chassis	38
A Series Chassis	39
B Series Chassis	40
Combined Chassis	41
XLR Accessories	42
Loudspeaker Connectors	43
Metal Loudspeaker	44
Plastic Loudspeaker	44
Plugs and Jacks	45
1/4" Plugs & Jacks	46
3.5mm Plugs & Jacks	48
RCA Connectors	49
Cable	50
Chassis	50
BNC Connectors	51
True 75Ω UHD	52
True 75Ω HD	52
Data Connectors	54
USB	55
HDMI	56
Optical Fiber	57
Adapters	58
Metal Adapter	59
Plastic Adapter	61



Ningbo Seetronic Electronic Technology Co., Ltd.

Ningbo Seetronic Electronic Technology Co., Ltd. is a certified national high-tech enterprise integrating R&D, production and sales of connecting equipment systems and other products in the fields of audio, video, lighting, automation and communications. It is located in the vibrant City of Ningbo, Zhejiang, China covering a factory area of 18,000 square meters. It has around 260 employees which includes more than 20 people in technology research and development and an annual output of approximately 20 million pieces/sets of connectors. After 15 years of establishment, the company has more than 70 independent intellectual property rights in the mechanical structure and design of it's signal, power and data connectors.

The company is composed of dynamic and innovative teams and have been continuously aim to provide the most cutting-edge technology and launch a number of global industry-wide benchmarking products. A number of Seetronic products have passed the VDE, CUL, CQC, RoHS, REACH, TUV and other certifications and product standards.



Vision

Dedicated to excellence in keeping pace with the world today and become incomparable in the industry in the future

Mission

Committed to be a trusted connector supplier in providing quality products and service to customers

Core Values

Responsibility, gratitude, efficiency, innovation, customer success



Seetronic has a group of experience and innovative technological team and adhere to research, development and talent training as the company's development goals. We attach great importance in the research and development of new products and processes and put large investments every year. As such, we have obtain excellent results, turning research and development results into productivity, leading current and future market trends.

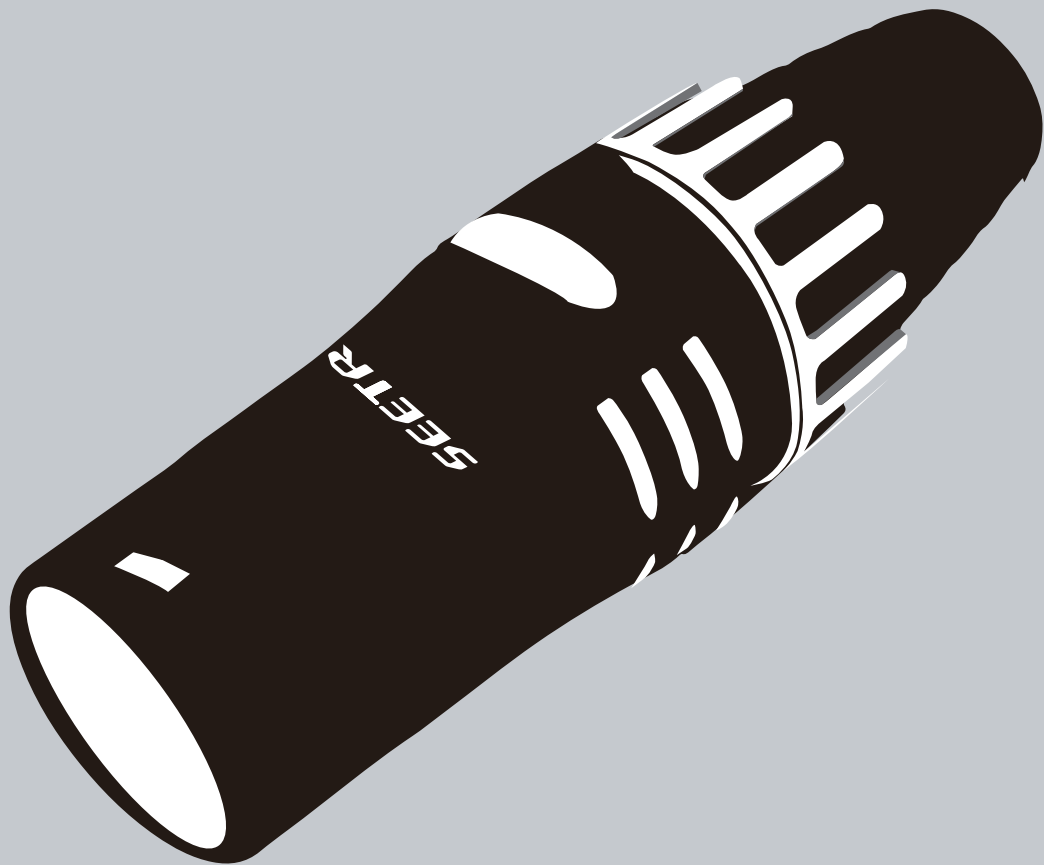


Our production facility utilizes high-tech mold processing and inspection equipment and machines such as Sodick, Jingdiao, Okamoto and Sanyuan operated by a group of experienced technical team to ensure that every mold we produce is a high quality precision mold.



We have dozens of Haitian, Fanuc and other injection mold and die-cast equipment with maximum daily output of 100,000 pieces/sets which can fully meet customer demand. The use of advanced and efficient production equipment and technology ensures that our product quality is excellent and stable.

RJ45 Connectors





SE8MC-1-NEW

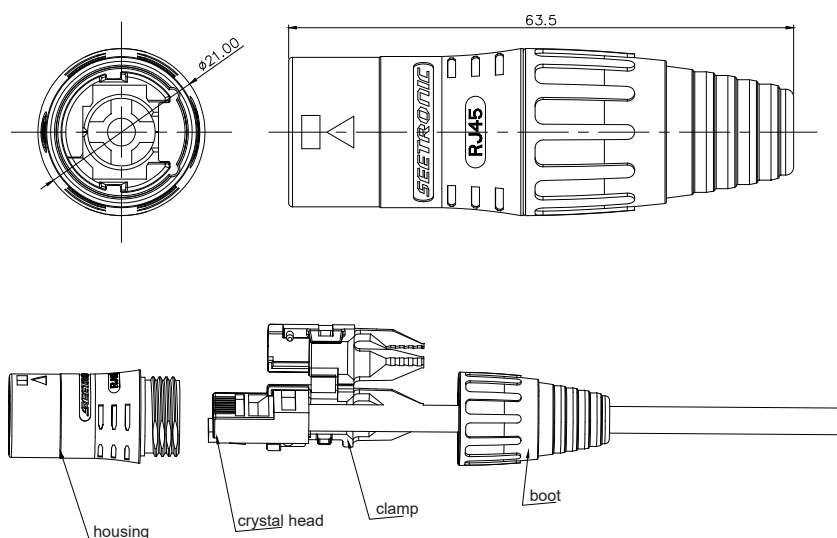


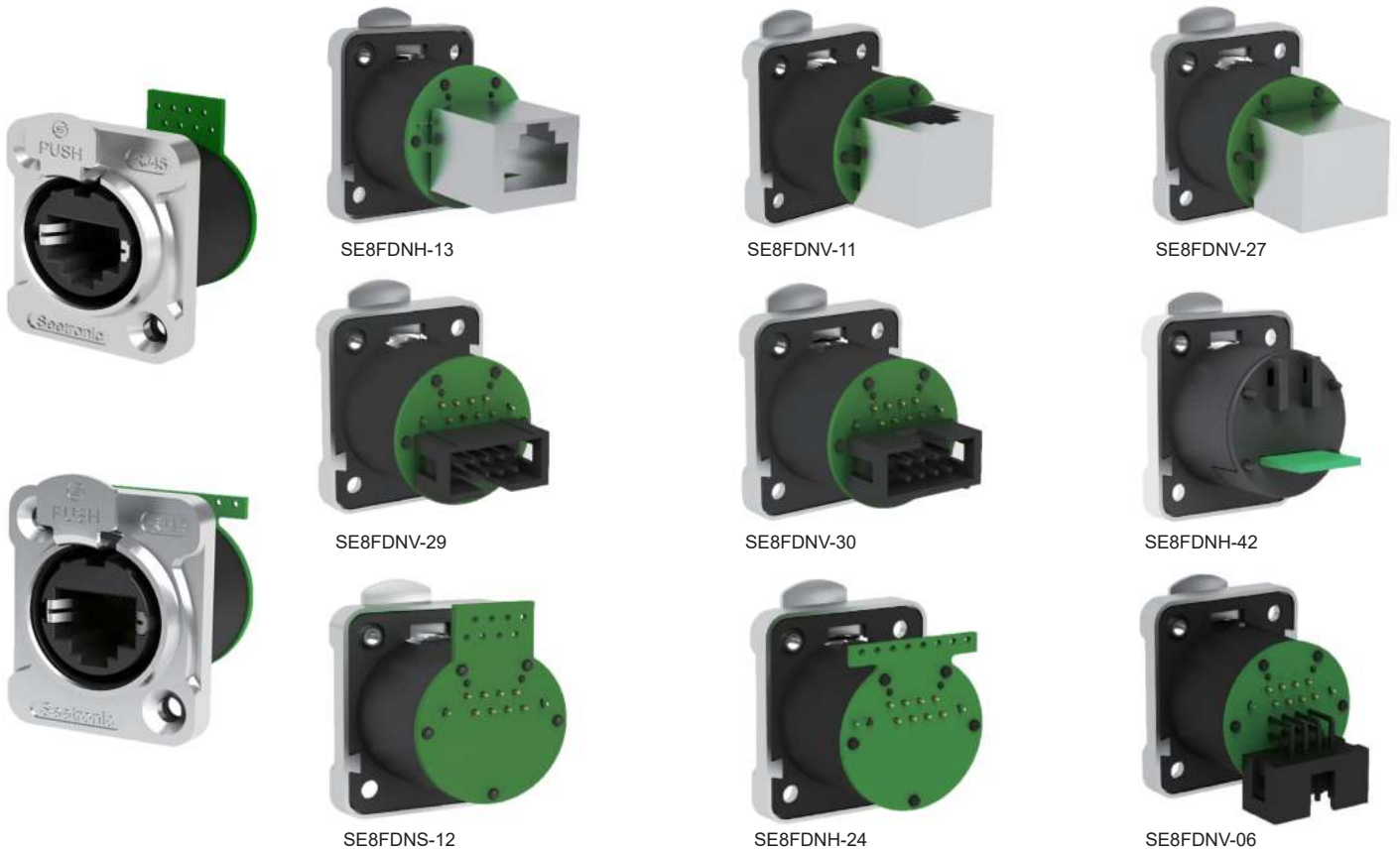
SE8MC-B-1-NEW

Features and Benefits:

- Ideal for any harsh and demanding environment and works with most RJ45 chassis connectors in the market.
- Sturdy die-cast shell and unique cable clamp, cable connector carrier which does not include RJ45 plug.
- Sleek design protects Ethernet connections in most commercial applications and components of standard RJ45 plug.

Product Number	Description
SE8MC-1-NEW	RJ45 cable carrier connector with chrome housing, cable OD 5-7mm
SE8MC-B-1-NEW	RJ45 cable carrier connector with black housing, cable OD 5-7mm
SE8MC-1-Y57	RJ45 cable carrier connector with chrome housing, cable OD 5-7mm that suits normal RJ45 and RJ45 with dovetail clip
SE8MC-1-Y79	RJ45 cable carrier connector with chrome housing, large cable OD 7-9mm that suits normal RJ45 and RJ45 with dovetail clip





Features and Benefits

- Complies with CAT5e according to TIA/EIA 568B and ISO/IEC 11801 standard and compatible with transmission levels below CAT5e
- Mountable from the front or rear of the panel

Product Number	Description
SE8FDNH-13	RJ45 D-shape panel connector with uniform metal flange, rear end is a feedthrough
SE8FDNH-24	RJ45 D-shape panel connector with uniform metal flange, rear end is a wire-bonded PCB
SE8FDNH-42	RJ45 D-shape panel connector with uniform metal flange, rear end is a wire-bonded
SE8FDNV-06	RJ45 D-shape panel connector with uniform metal flange, rear end is a 90° 8-pin horn
SE8FDNV-11	RJ45 D-shape panel connector with uniform metal flange, rear end is a 90° opening direction is opposite from the bottom
SE8FDNV-27	RJ45 D-shape panel connector with uniform metal flange, rear end is a 90° opening direction is toward the bottom
SE8FDNV-29	RJ45 D-shape panel connector with uniform metal flange, rear end is a feedthrough 8-pin horn opening direction is towards the bottom
SE8FDNV-30	RJ45 D-shape panel connector with uniform metal flange, rear end is a feedthrough 8-pin horn opening direction is opposite from the bottom
SE8FDNS-12	RJ45 D-shape panel connector with uniform metal flange, rear end is a wire-bonded



SE8FDP



SE8FD-H



SE8FDH-N



SE8FDV



SE8FDV-X

Features and Benefits

- Complies with CAT5e according to TIA/EIA 568B and ISO/IEC 11801 standard and compatible with transmission levels below CAT5e

Product Number	Description
SE8FD-H	RJ45 D-shape panel connector with uniform metal flange, rear end is a 90°
SE8FDH-N	RJ45 D-shape panel connector with uniform metal flange, rear end is a PCB
SE8FDP	RJ45 D-shape panel connector with uniform metal flange, rear end is a feedthrough
SE8FDV	RJ45 D-shape panel connector with uniform metal flange, rear end inserts PCB
SE8FDV-X	RJ45 D-shape panel connector with uniform metal flange, rear end is an 8-pin horn



SE8FAV



SE8FBH



SE8FAV (Back)



SE8FBH (Back)

Features and Benefits

- Match with SE8MC-1-NEW and SE8MC-02-NEW or any standard RJ45 plug
- Fast locking and unlocking for the front and rear feedthrough type providing guaranteed reliability for continuous and stable signal transmission under moving conditions
- Install from the rear of the panel and can be flexibly modified according to actual requirements

Product Number	Description
SE8FAH	RJ45 receptacle with plastic panel, horizontal PCB mount
SE8FAV	RJ45 receptacle with plastic panel, vertical PCB mount
SE8FBH	RJ45 receptacle with metal panel, horizontal PCB mount
SE8FBV	RJ45 receptacle with metal panel, vertical PCB mount

NEW / CAT6, PoE++



SE8FAH-C6-LED



SE8FBV-C6-LED



SE8FAV-C6



SE8FBH-C6

Features and Benefits

- Match with SE8MC-1-NEW and SE8MC-02-NEW or any standard RJ45 plug
- Approved latch lock system and rugged front metal or plastic plate
- Install from behind the panel and maximum panel thickness 3.0mm
- Complies with **CAT6** according to TIA/EIA 568B and ISO/IEC 11801 standard
- **PoE++** compliant according to 802.3bt

Product Number	Description
SE8FAH-C6-LED	Horizontal PCB mount RJ45 socket, CAT6, PoE++ , two LED light pipe through hole on plastic panel
SE8FAV-C6-LED	Vertical PCB mount RJ45 socket, CAT6, PoE++ , two LED light pipes through hole on plastic panel
SE8FBH-C6-LED	Horizontal PCB mount RJ45 socket, CAT6, PoE++ , two LED light pipes through hole on metal panel
SE8FBV-C6-LED	Vertical PCB mount RJ45 socket, CAT6, PoE++ , two LED light pipes through hole on metal panel

Product Number	Description
SE8FAH-C6	Horizontal PCB mount RJ45 socket, CAT6, PoE++ , plastic panel
SE8FAV-C6	Vertical PCB mount RJ45 socket, CAT6, PoE++ , plastic panel
SE8FBH-C6	Horizontal PCB mount RJ45 socket, CAT6, PoE++ , metal panel
SE8FBV-C6	Vertical PCB mount RJ45 socket, CAT6, PoE++ , metal panel



SE8MC-02-NEW

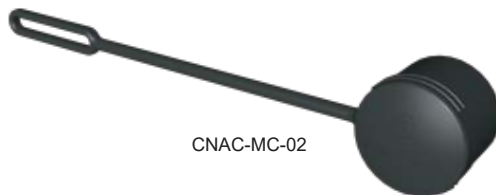


SE8MC-02-B-NEW

Features and Benefits

- Ideal for any harsh and demanding outdoor environment with waterproof rating IP65
- Sturdy die-cast shell and unique cable clamp
- Cable connector carrier which does not include RJ45 plug
- Sleek design protects Ethernet connections in most commercial applications and components of standard RJ45 plug

Product Number	Description
SE8MC-02-NEW	Outdoor RJ45 male cable carrier connector with chrome housing, cable OD 5-7mm
SE8MC-02-B-NEW	Outdoor RJ45 male cable carrier connector with black housing, cable OD 5-7mm
SE8MC-02-D-NEW	Outdoor RJ45 male cable carrier connector with chrome housing, cable OD 6.5-8mm
SE8MC-02-Y57	Outdoor RJ45 cable carrier connector with chrome housing, cable OD 5-7mm that suits normal RJ45 and RJ45 with dovetail clip
SE8MC-02-Y79	Outdoor RJ45 cable carrier connector with chrome housing, large cable OD 7-9mm that suits normal RJ45 and RJ45 with dovetail clip
CNAC-MC-02	Rubber sealing cover for SE8MC-02



CNAC-MC-02



SE8FC



SE8FC-B

Features and Benefits

- Female RJ45 cable carrier connector
- Match with SE8MC-02-NEW for linking cables and achieve air docking when mated
- Cable carrier connector and does not include RJ45 plug
- A more economical, beautiful and convenient alternative or replace SE8FF-X or SE8FF-02 conforming to the trend of miniaturization

NEW / CAT6a, PoE++

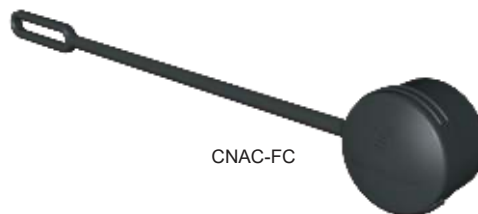


SE8FC-C6A

Features and Benefits

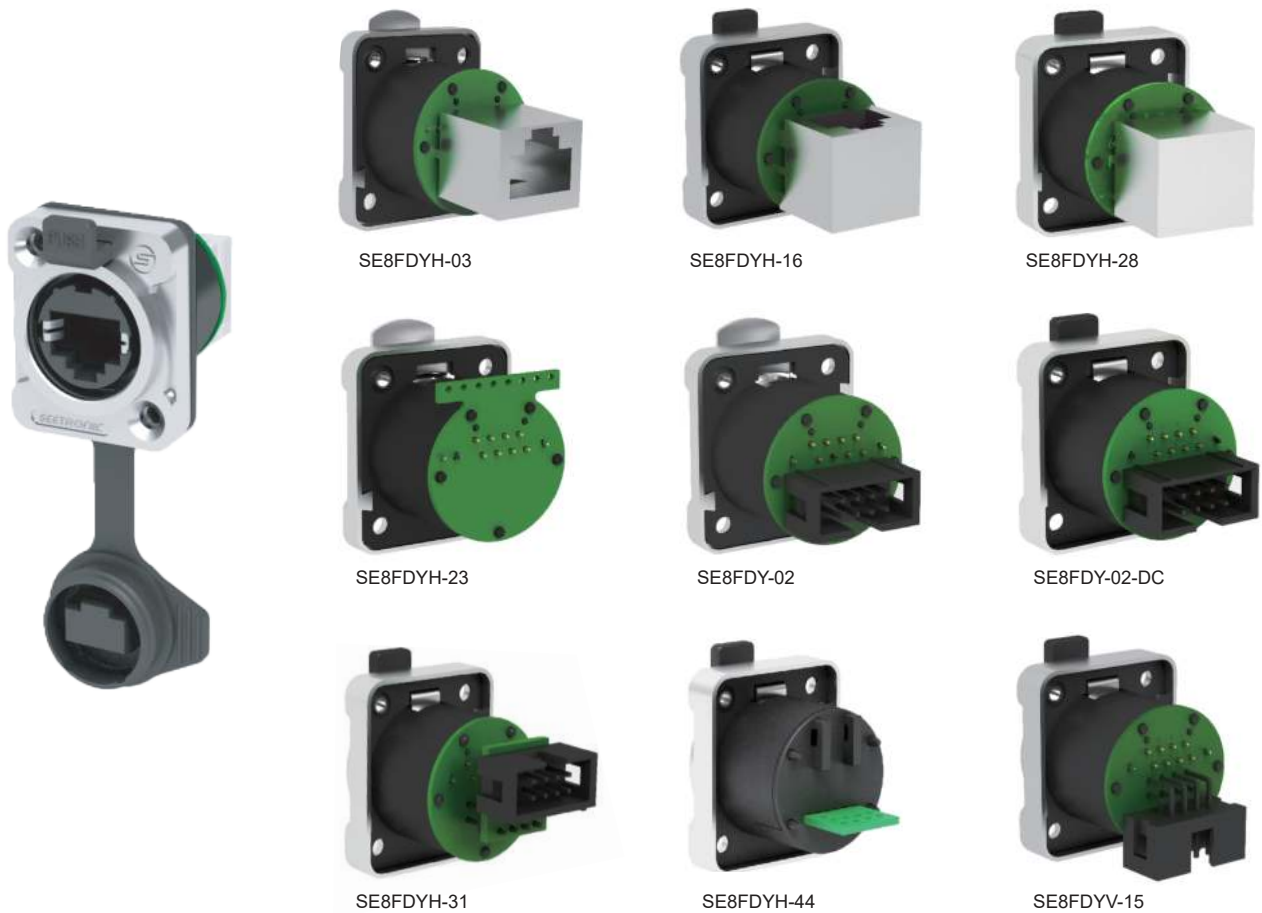
- Female RJ45 cable carrier connector
- IP65 waterproof protection rating when mated with SE8MC-02-NEW
- Cable carrier connector and does not include RJ45 plug
- **CAT6a** compliant according to TIA/EIA 568B and ISO/IEC 11801 standard and compatible with transmission levels below **CAT6a**
- **PoE++** compliant according to 802.3bt

Product Number	Description
SE8FC	Outdoor RJ45 female cable carrier connector with chrome housing, cable OD 5-7mm
SE8FC-B	Outdoor RJ45 female cable carrier connector with black housing, cable OD 5-7mm
SE8FC-C6A	Outdoor RJ45 female cable carrier connector with chrome housing, cable OD 5-7mm, CAT6a, PoE++
CNAC-FC	Rubber sealing cover for SE8FC



CNAC-FC





Features and Benefits

- Complies with CAT5e according to TIA/EIA 568B and ISO/IEC 11801 standard and compatible with transmission levels below CAT5e

Product Number	Description
SE8FDY-02	Outdoor RJ45 D-shape panel connector with metal flange, rear end is 8-pin horn, can reached IP65 protection rating when mated with waterproof cover
SE8FDY-02-DC	Outdoor RJ45 D-shape panel connector with metal flange, rear end is 8-pin horn, can reached IP65 protection rating when mated with waterproof cover
SE8FDYH-03	Outdoor RJ45 D-shape panel connector with metal flange, rear end is a feedthrough, can reached IP65 protection rating when mated with waterproof cover
SE8FDYH-16	Outdoor RJ45 D-shape panel connector with metal flange, rear end is 90°, can reached IP65 protection rating when mated with waterproof cover
SE8FDYH-23	Outdoor RJ45 D-shape panel connector with metal flange, rear end is a wire-bonded, PCB, can reached IP65 protection rating when mated with waterproof cover
SE8FDYH-28	Outdoor RJ45 D-shape panel connector with metal flange, rear end is 90°, can reached IP65 protection rating when mated with waterproof cover
SE8FDYH-31	Outdoor RJ45 D-shape panel connector with metal flange, rear end is 8-pin horn, can reached IP65 protection rating when mated with waterproof cover
SE8FDYH-44	Outdoor RJ45 D-shape panel connector with metal flange, rear end is a wire-bonded, PCB, can reached IP65 protection rating when mated with waterproof cover
SE8FDYV-15	Outdoor RJ45 D-shape panel connector with metal flange, rear end is 90° 8-pin horn, can reached IP65 protection rating when mated with waterproof cover

NEW / CAT6a, PoE++

Features and Benefits

- RJ45 socket with uniform metal flange, standard D-mount style
- **CAT6a** compliant according to TIA/EIA 568B and ISO/IEC 11801 standard and compatible with transmission levels below **CAT6a**
- D style, can be installed from the front of the panel
- Under the installation of the gasket, it can reach the protection level of IP 65, which fully meets the long-lasting stable signal transmission back end under outdoor harsh conditions, and can be flexibly modified according to actual needs
- All-metal housing with shielding
- **Airproof** treatment which can withstand air pressure of 0.2Mpa and no leakage at the rear when waterproof cover is not in use
- **PoE++** compliant according to 802.3bt



SE8FDYH-60-C6A

Product Number	Description
SE8FDYH-60-C6A	Outdoor RJ45 D-shape panel connector, all-metal housing with shielding, waterproof rating IP65, airproof, CAT6a, PoE++ , installed from the front of the panel



SE8FDYH-60-B



SE8FDYH-61-B



SE8FDYV-62-B



Features and Benefits

- New anti-leakage upgraded series version with waterproof grade IP65
- Better protection and extends service life of the equipment
- It can withstand air pressure of 0.2Mpa and no leakage at the rear when waterproof cover is not in use
- Standard D-style installation size and install from the front of the panel
- Complies with CAT5e according to TIA/EIA 568B and ISO/IEC 11801 standard and compatible with transmission levels below CAT5e
- Fast locking and unlocking for the front and rear feedthrough type providing a guaranteed reliability for continuous and stable signal transmission under moving conditions

Product Number	Description
SE8FDYH-60-B	Outdoor RJ45 D-shape panel connector with black metal flange, improved anti-leakage version of SE8FDYH-03, waterproof rating IP65, rear end is a feedthrough
SE8FDYH-61-B	Outdoor RJ45 D-shape panel connector with black metal flange, improved anti-leakage version of SE8FDYH-16, waterproof rating IP65, rear end is a 90°
SE8FDYH-62-B	Outdoor RJ45 D-shape panel connector with black metal flange, improved anti-leakage version of SE8FDY-02-DC, waterproof rating IP65, rear end is 180° 8-pin horn



SE8MC-05-NEW

Features and Benefits

- Ideal for any harsh and demanding outdoor environment
- Exceptionally quick plugging and unplugging with one-hand operation which saves time compared to traditional waterproof RJ45 cable connectors
- Push button lock is designed on the plug with a sturdy spring inside. Even if the spring breaks, it can be unlocked which is more stable than traditional signal connectors
- Sturdy die-cast shell and unique cable clamp
- Cable connector carrier does not include RJ45 plug
- Sleek design protects Ethernet connections in most commercial type applications and components of standard RJ45 plugs



SE8FC-05

Features and Benefits

- Female RJ45 cable carrier connector
- Match with SE8MC-05-NEW for linking cables and achieved air docking when mated
- Cable carrier connector and does not include RJ45 plug
- A more economical, beautiful and convenient alternative to replace SE8FF-05 conforming to the trend of miniaturization

Product Number	Description
SE8MC-05-NEW	Improved version of SE8MC-02-NEW designed with push button lock on the plug and sturdy spring inside, cable OD 5-7mm, can only be mated with 05 series sockets
SE8MC-05-D-NEW	Improved version of SE8MC-02-new designed with push button lock on the plug and sturdy spring inside, cable OD 6.5-8mm, can only be mated with 05 series sockets
SE8FC-05	Outdoor RJ45 female cable connector matched only with SE8MC-05-NEW, chrome housing cable OD 5-7mm
SE8FC-05-B	Outdoor RJ45 female cable connector matched only with SE8MC-05-NEW, black housing cable OD 5-7mm





SE8FD05-C6A

Features and Benefits

- D-shape panel connector with uniform metal flange and standard D-style installation size
- Install from the front of the panel
- The rear end is a feedthrough RJ45
- Match only with SE8MC-05-NEW
- Can reach protection level of IP65 when used with waterproof cap which fully meets long-lasting and stable signal transmission under severe outdoor conditions
- Complies with **CAT6a** according to TIA/EIA 568B and ISO/IEC 11801 standard, and is compatible with transmission levels below **CAT6a**
- Fast locking and unlocking for the front and rear feedthrough type, providing a guaranteed reliability for continuous and stable signal transmission under moving conditions
- **SE8FD05-C6A(01)** conforms **PoE++** according to 802.3bt

NEW / CAT6a, PoE++



SE8FD05-01-C6A

Features and Benefits

- RJ45 socket with uniform metal flange, standard D-mount style
- **CAT6a** compliant according to TIA/EIA 568B and ISO/IEC 11801 standard and compatible with transmission levels below **CAT6a**
- D-style, installed from the front of the panel
- Under the installation of the gasket, it can reach the protection level of IP65 waterproof rating which fully meets the long-lasting stable signal transmission back end under outdoor harsh conditions and can be flexibly modified according to actual needs
- All-metal housing with shielding
- **Airproof** treatment which can withstand air pressure of 0.2Mpa and no leakage at the rear when waterproof cover is not in use
- **PoE++** compliant according to 802.3bt

Product Number	Description
SE8FD05-C6A	Outdoor RJ45 D-shape panel connector with metal flange, feedthrough rear end, IP65 rating when mated with waterproof cover, CAT6a
SE8FD05-C6A(01)	Outdoor RJ45 D-shape panel connector with metal flange, feedthrough rear end, IP65 rating when mated with waterproof cover, CAT6a, PoE++
SE8FD05-01-C6A	Outdoor RJ45 D-shape panel connector with metal flange, feedthrough rear end, IP65 rating when mated with waterproof cover, airproof, CAT6a, PoE++



Features and Benefits

- Standard D-style installation size RJ45 panel connector
- Install from the front of the panel
- Can reach IP65 protection rating when used with waterproof cap which fully meets long lasting and stable signal transmission under severe outdoor conditions
- Complies with CAT5e according to TIA/EIA 568B and ISO/IEC 11801 standard and compatible with transmission levels below CAT5e
- **SE8FD05-40 complies and compatible with transmission levels below CAT6**
- Fast locking and unlocking for the front and rear feedthrough type providing a guaranteed reliability for continuous and stable signal transmission under moving conditions

Product Number	Description
SE8FD05-01	Outdoor RJ45 D-shape panel connector with metal flange, rear end is a feedthrough, IP 65 protection rating when mated with waterproof cover, can only be mated with SE8MC-05-NEW
SE8FD05-02	Outdoor RJ45 D-shape panel connector with metal flange, rear end is A 90°, IP 65 protection rating when mated with waterproof cover, can only be mated with SE8MC-05-NEW
SE8FD05-03	Outdoor RJ45 D-shape panel connector with metal flange, rear end is an 8-pin horn, IP 65 protection rating when mated with waterproof cover, can only be mated with SE8MC-05-NEW
SE8FD05-23	Outdoor RJ45 D-shape panel connector with metal flange, rear end is a weldable PCB, IP 65 protection rating when mated with waterproof cover, can only be mated with SE8MC-05-NEW
SE8FD05-30	Outdoor RJ45 D-shape panel connector with metal flange, rear end can be directly soldered to the PCB and pin length can be customized, IP65 protection rating when mated with waterproof cover, can only be mated with SE8MC-05-NEW
SE8FD05-40	Outdoor RJ45 D-shape panel connector, metal flange, wire bond at the rear end perpendicular to the axial direction, CAT6



SE8FD05-22-15



SE8FD05-22-16



SE8FD05-23-22



SE8FD05-30-22



Features and Benefits

- Standard D-style installation size and install from the rear of the panel
- Complies with CAT5e according to TIA/EIA 568B and ISO/IEC 11801 standard and compatible with transmission levels below CAT5e
- Fast locking and unlocking for the front and rear feedthrough type providing a guaranteed reliability for continuous and stable signal transmission under moving conditions
- The rear end can be flexibly modified according to actual requirements

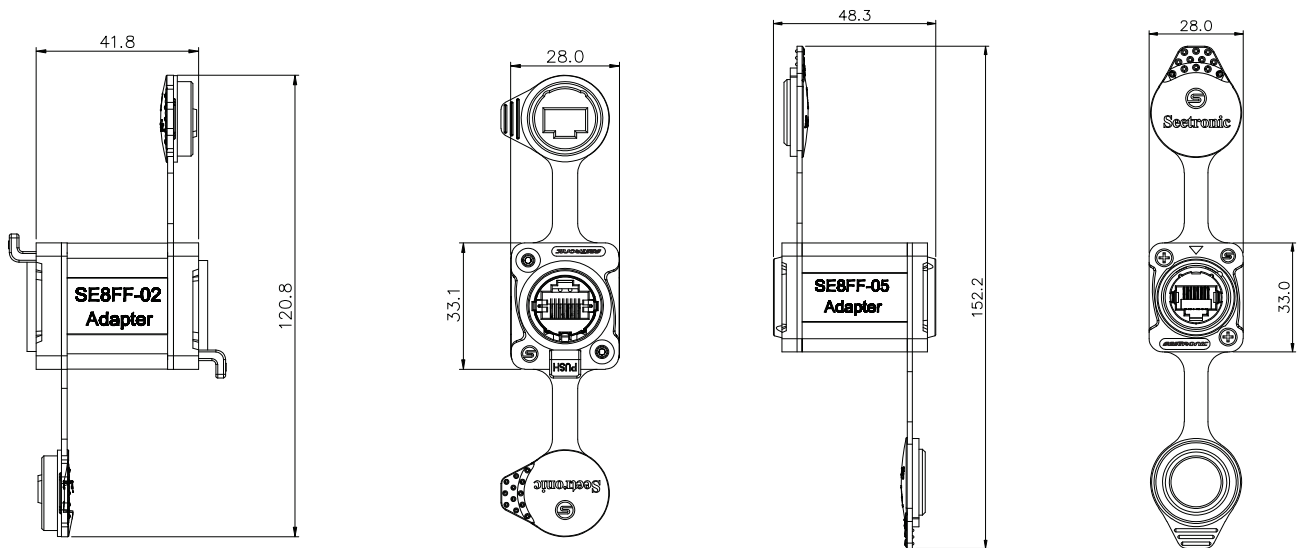
Product Number	Description
SE8FD05-22-15	Outdoor RJ45 D-shape panel connector with black flange, rear end is vertical pins, IP 65 protection rating when mated with waterproof cover, can only be mated with SE8MC-05-NEW
SE8FD05-22-16	Outdoor RJ45 D-shape panel connector with black flange, rear end is horizontal pins, IP 65 rating when mated with waterproof cover, can only be mated with SE8MC-05-NEW
SE8FD05-23-22	Outdoor RJ45 D-shape panel connector with metal flange, rear end is weldable PCB, IP 65 protection rating when mated with waterproof cover, can only be mated with SE8MC-05-NEW
SE8FD05-30-22	Outdoor RJ45 D-shape panel connector with black flange, rear end is weldable double row pin PCB and pin length can be customized, IP65 protection rating when mated with waterproof cover, can only be mated with SE8MC-05-NEW



Features and Benefits

- Small in size and very light weight compared to other products in the market
- Easy to carry, saves space and cost effective

Product Number	Description
SE8FF-X	RJ45 feedthrough coupler for linking cables, accommodates SE8MC-1-NEW
SE8FF-02	RJ45 feedthrough coupler for linking cables, accommodates SE8MC-02-NEW
SE8FF-05	RJ45 feedthrough coupler for linking cables, accommodates SE8MC-05-NEW



Power Connectors



SEETRONIC



SAC3FCA



SAC3FCB



SAC3MPA



SAC3MPA (Back)



SAC3MPA-M (Back)



SAC3MPB



SAC3MPB (Back)



SAC3MPB-M (Back)

Features and Benefits

- Lockable three-core power device AC connector with contacts for line, neutral and pre-adapted safety grounding
- Quick and easy locking system and high current capacity
- UL Certification No. E359036 and VDE Certification No. 40044166

Product Number	Description
SAC3FCA	Indoor lockable 3-core power-in cable connector, 20A/250V AC current capacity
SAC3FCB	Indoor lockable 3-core power-out cable connector, 20A/250V AC current capacity
SAC3MPA	Indoor 3-core power-in chassis connector, 20A/250V AC current capacity, solder type terminal
SAC3MPB	Indoor 3-core power-out chassis connector, 20A/250V AC current capacity, solder type terminal
SAC3MPA-M	Indoor 3-core power-in chassis connector, 20A/250V AC current capacity, screw locked type terminal
SAC3MPB-M	Indoor 3-core power-out chassis connector, 20A/250V AC current capacity, screw locked type terminal



Features and Benefits

- Waterproof lockable three-core power device AC connector with contacts for line, neutral and pre-adapted safety grounding for demanding outdoor environment
- Quick and easy locking system and high current capacity
- UL Certification No. E359036 and VDE Certification No. 40044166

Product Number	Description
SAC3FCA-N-W	Outdoor lockable 3-core power-in cable connector, 20A/250V AC current capacity, waterproof IP65 rating
SAC3FCB-N-W	Outdoor lockable 3-core power-out cable connector, 20A/250V AC current capacity waterproof IP65 rating
SAC3MPA-N-W	Outdoor 3-core power-in chassis connector, 20A/250V AC current capacity waterproof IP65 rating
SAC3MPB-N-W	Outdoor 3-core power-out chassis connector, 20A/250V AC current capacity waterproof IP65 rating
SAC3MPA-N-W-04	Outdoor 3-core power-in chassis connector, 20A/250V AC current capacity, waterproof IP65 rating, 4 screws fixed, install from the rear of the panel, 155° solder edge, PCB mount
SAC3MPB-N-W-05	Outdoor 3-core power-out chassis connector, 20A/250V AC current capacity, waterproof IP65 rating, 4 screws fixed, install from the rear of the panel, 155° solder edge, PCB mount
SAC3MPA-W-M	Outdoor 3-core power-in chassis connector, 20A/250V AC current capacity, IP65 waterproof rating
SAC3MPB-W-M	Outdoor 3-core power-out chassis connector, 20A/250V AC current capacity, IP65 waterproof rating
CNAC-MPAB	Rubber sealing cover for SAC3MPA-N-W and SAC3MPB-N-W provides protection from dust and water with IP65 rating





SAC3FCA



SAC3MCA



SAC3FCB



SAC3MCB



SAC3FCA-N-W



SAC3MCA-N-W



SAC3FCB-N-W



SAC3MCB-N-W

Features and Benefits

- Can be docked with power cable connectors for linking cables
- Compared with SAC3MM, this power connector series is more compact and looks nicer
- Lockable three-core power device AC connector with contacts for line, neutral and pre-adapted safety grounding
- Quick and easy locking system and high current capacity
- UL Certification No. E359036 and VDE Certification No. 40044166

Product Number	Description
SAC3MCA	Indoor lockable 3-core power-in cable connector, 20A/250V AC current capacity, can be docked with SAC3FCA for linking cables
SAC3MCB	Indoor lockable 3-core power-out cable connector, 20A/250V AC current capacity can be docked with SAC3FCB for linking cables
SAC3MCA-N-W	Outdoor 3-core power-in cable connector, 20A/250V AC current capacity can be docked with SAC3FCA-N-W for linking cables
SAC3MCB-N-W	Outdoor 3-core power-out cable connector, 20A/250V AC current capacity can be docked with SAC3FCB-N-W for linking cables



SAC3FX



SAC3MX



SAC3FPX



SAC3MPX

Features and Benefits

- Used for electrical connection under outdoor conditions with protection grade IP65
- Lockable three-core power device AC connector with contacts for line, neutral and pre-adapted safety grounding for harsh and demanding outdoor environment
- Quick and easy locking system and high current capacity
- UL498 & UL50E Certification No. E356932 and VDE Certification No. 40044166

Product Number	Description
SAC3FX	Outdoor lockable 3-core power-in cable connector, 16A/250V AC VDE and 20A/300V AC UL current rating, IP65 protection rating
SAC3MX	Outdoor lockable 3-core power-out cable connector, 16A/250V AC VDE and 20A/300V AC UL current rating, IP65 protection rating
SAC3FPX	Outdoor 3-core power-in chassis connector, 16A/250V AC VDE and 20A/300V AC UL current rating, IP65 protection rating
SAC3MPX	Outdoor 3-core power-out chassis connector, 16A/250V AC VDE and 20A/300V AC UL current rating, IP65 protection rating
CNAC-FX	Rubber sealing cover for SAC3FX, IP65 protection rating from dust and water
CNAC-MX	Rubber sealing cover for SAC3MX, IP65 protection rating from dust and water
CNAC-FPX	Rubber sealing cover for SAC3FPX, IP65 protection rating from dust and water
CNAC-MPX	Rubber sealing cover for SAC3MPX, IP65 protection rating from dust and water

Fixed support surface of original structure of latch key



CNAC-MPX

The original structure keys are fixed by plastic parts at the end. The support surface is small and cannot withstand the thrust of more than 10kg. The new structure is supported by a cliff structure with large support surface. The keys cannot be removed after non-destructive disassembly. The keys are reliable and durable



CNAC-FPX

**IP67
NEW**



SAC3FX-67

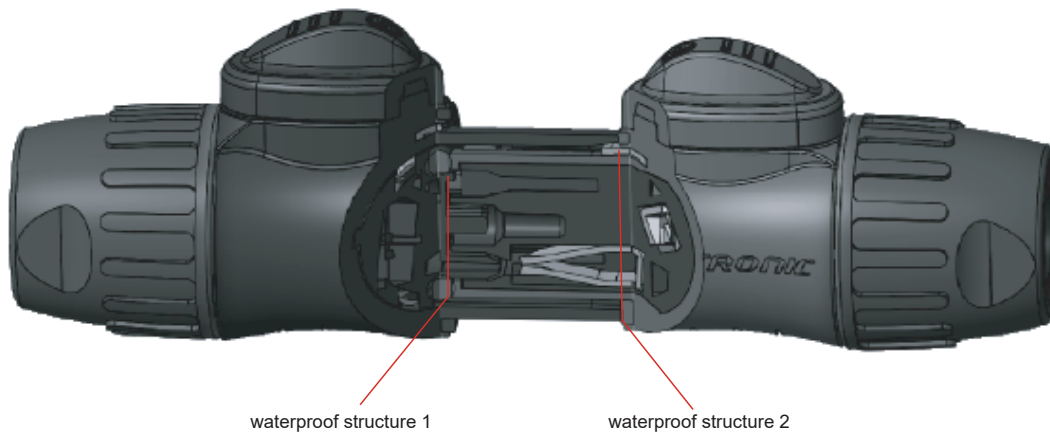


SAC3MX-67

Features and Benefits

- Used for electrical connection under outdoor conditions with protection grade IP67
- Lockable three-core power device AC connector with contacts for line, neutral and pre-adapted safety grounding for harsh and demanding outdoor environment
- UL498 & UL50E Certification No. E356932 and VDE Certification No. 40044166

Product Number	Description
SAC3FX-67	Outdoor lockable 3-core power-in cable connector, 16A/250V AC VDE and 20A/300V AC UL current rating, IP67 protection rating
SAC3MX-67	Outdoor lockable 3-core power-out cable connector, 16A/250V AC VDE and 20A/300V AC UL current rating, IP67 protection rating





SAC3FPX-LY



SAC3MPX-LY



CNAC-FPX-LY



CNAC-MPX-LY

Features and Benefits

- Improved versions which prevents water and air leakage at the same time and best suitable for stage lighting
- Outdoor lockable three-core power device AC connector with contacts for line, neutral and pre-adapted safety grounding for harsh and demanding outdoor environment
- Waterproof grade IP65 and protection class IP67 for terminal equipment
- UL498 & UL50E Certification No. E356932 and VDE Certification No. 40044166

Product Number	Description
SAC3FPX-LY	Improved version of SAC3FPX, outdoor lockable 3-core power-in cable connector, 16A/250V AC VDE and 20A/300V AC UL current rating, gold plated contact
SAC3MPX-LY	Improved version of SAC3MPX, outdoor lockable 3-core power-out cable connector, 16A/250V AC VDE and 20A/300V AC UL current rating, gold plated contact
CNAC-FPX-LY	Rubber sealing cover for SAC3FPX-LY, IP65 protection rating from dust and water
CNAC-MPX-LY	Rubber sealing cover for SAC3MPX-LY, IP65 protection rating from dust and water



SAC3FPX-20



SAC3FPX-20 (Back)

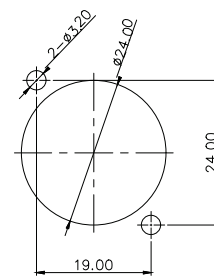
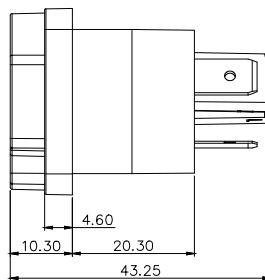
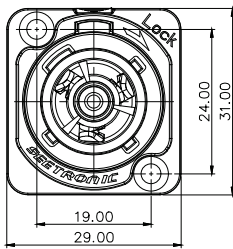


CNAC-FPX-20

Features and Benefits

- The upgraded version of SAC3FPX-LY
- Use with SAC3MPX-LY can achieve the same opening size of the input and output panels which is in line with the development trend of equipment miniaturization and light weight
- Can achieve the effects of preventing water and air leakage at the same time
- Waterproof grade IP65 / IP67

Product Number	Description
SAC3FPX-20	Smaller size of SAC3FPX-LY, matched with SAC3MPX-LY, light weight 6A/250V AC VDE and 20A/300V AC UL current rating, gold plated contact
CNAC-FPX-20	Rubber sealing cover for SAC3FPX-20, IP65 protection rating from dust and water





SAC3FG | SAC3MPG



SAC3MG | SAC3FPG



SAC3FG | SAC3MPG(P)



SAC3MG | SAC3FPG(P)



SAC3FG | SAC3MG(DJ)



SAC3MG | SAC3FG(DJ)

Features and Benefits

- Multiple types of 3-inner core power connector design to meet the diversity of industrial needs
- Zinc alloy housing and internal component material with complete electromagnetic and RF interference protection
- Gold plated contacts with high corrosion resistance and electrical conductivity
- PA66 shell provides stable electrical performance, high pressure and temperature resistance, anti-explosion and corrosion resistance
- No need to twist when plugging and bigger surface contact area which is safer for electric circuit contact
- Waterproof with IP65 protection rating

Product Number	Description
SAC3FG	Outdoor 3-core female power cable connector, PA66 zinc alloy housing, gold plated contact, 20A rms current rating, IP65 protection rating, matched with SAC3MPG
SAC3MG	Outdoor 3-core male power cable connector, PA66 zinc alloy housing, gold plated contact, 20A rms current rating, IP65 protection rating, matched with SAC3FPG
SAC3FPG	Outdoor 3-core female power cable connector, PA66 zinc alloy housing, gold plated contact, 20A rms current rating, IP65 protection rating, matched with SAC3MG
SAC3MPG	Outdoor 3-core male power cable connector, PA66 zinc alloy housing, gold plated contact, 20A rms current rating, IP65 protection rating, matched with SAC3FG
SAC3FG(DJ)	Outdoor 3-core female power cable connector, PA66 zinc alloy housing, gold plated contact, 20A rms current rating, IP65 protection rating, matched with SAC3MG
SAC3MG(DJ)	Outdoor 3-core male power cable connector, PA66 zinc alloy housing, gold plated contact, 20A rms current rating, IP65 protection rating, matched with SAC3FG



SAC3MPA-02



SAC3PX

Features and Benefits

- Combined inlet and outlet power chassis connectors
- Quick and easy twist locking system
- Rugged and reliable 20A/250V AC current capacity

Product Number	Description
SAC3MPA-02	Indoor power appliance combining SAC3MPA (power-in) and SAC3MPB (power-out) 20A/250V AC current capacity
SAC3PX	Outdoor power appliance combining SAC3FPX-20 (power-in) and SAC3MPX-LY (power-out) 16A/250V AC VDE and 20A/300V AC UL current rating, protection class IP65/IP67 waterproof grade (with sealed cap using CNAC-PX) and IP67 airproof for terminal equipment
CNAC-PX	Rubber sealing cap for SAC3PX, IP65/IP67 protection from dust and water



SAC3MPA-02 (Back)



SAC3PX (Back)



CNAC-PX



SAC3MM



SAC3MMA



SAC3MMB

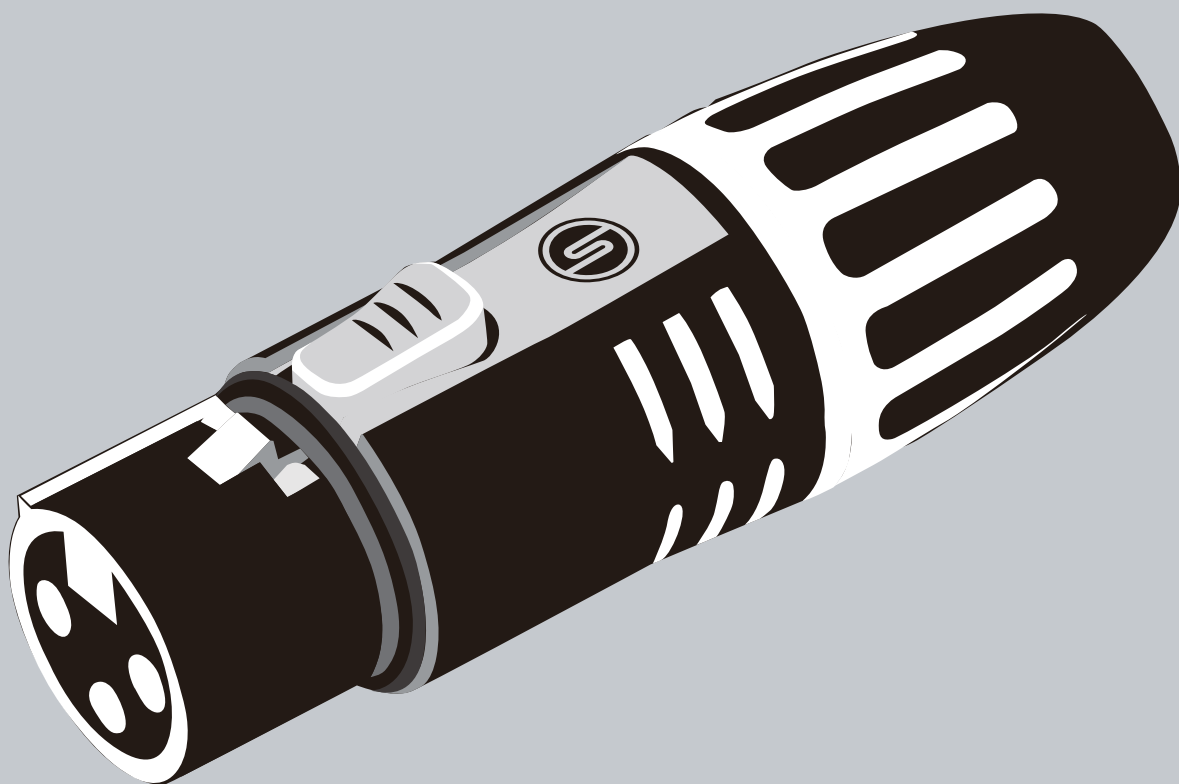
Features and Benefits

- It is very easy to realize the conversion of power from input to output (docking) in demanding situation
- The connection is very firm and the operation is simple
- High current capacity rated at 20A/250V AC

Product Number	Description
SAC3MM	Power connector coupler for linking cables, power-in (SAC3MPA) - power-out (SAC3MPB)
SAC3MMA	Power connector coupler for linking cables, power-in (SAC3MPA) - power-in (SAC3MPA)
SAC3MMB	Power connector coupler for linking cables, power-out (SAC3MPB) - power-out (SAC3MPB)



XLR Connectors



SEETRONIC



SCMF3



SCMM3



SCMF5-BG



SCMM5-BG

Features and Benefits

- Brand new appearance design with smooth handling operation
- The metal housing uses internal thread design to ensure that it can withstand gravity under any site conditions
- Two cable clamps are provided for different cable diameters; black clamp 3.5-6mm, white clamp 6-8mm
- No ring design which is more compact
- Colored boots available for coding and identification
- The boot is equipped with a polyurethane sealing sleeve to prevent the cable from being affected by bending pressure to the greatest extent

Product Number	Description
SCMF3	3-core XLR female cable connector, pearl chrome plated shell, silver plated contacts
SCMF3-B	3-core XLR female cable connector, black plated shell, silver plated contacts
SCMF3-G	3-core XLR female cable connector, pearl chrome plated shell, gold plated contacts
SCMF3-BG	3-core XLR female cable connector, black plated shell, gold plated contacts
SCMM3	3-core XLR male cable connector, pearl chrome plated shell, silver plated contacts
SCMM3-B	3-core XLR male cable connector, black plated shell, silver plated contacts
SCMM3-G	3-core XLR male cable connector, pearl chrome plated shell, gold plated contacts
SCMM3-BG	3-core XLR male cable connector, black plated shell, gold plated contacts
SCMF4	4-core XLR female cable connector, pearl chrome plated shell, silver plated contacts
SCMF4-B	4-core XLR female cable connector, black plated shell, silver plated contacts
SCMF4-G	4-core XLR female cable connector, pearl chrome plated shell, gold plated contacts
SCMF4-BG	4-core XLR female cable connector, black plated shell, gold plated contacts
SCMM4	4-core XLR male cable connector, pearl chrome plated shell, silver plated contacts
SCMM4-B	4-core XLR male cable connector, black plated shell, silver plated contacts
SCMM4-G	4-core XLR male cable connector, pearl chrome plated shell, gold plated contacts
SCMM4-BG	4-core XLR male cable connector, black plated shell, gold plated contacts
SCMF5	5-core XLR female cable connector, pearl chrome plated shell, silver plated contacts
SCMF5-B	5-core XLR female cable connector, black plated shell, silver plated contacts
SCMF5-G	5-core XLR female cable connector, pearl chrome plated shell, gold plated contacts
SCMF5-BG	5-core XLR female cable connector, black plated shell, gold plated contacts
SCMM5	5-core XLR male cable connector, pearl chrome plated shell, silver plated contacts
SCMM5-B	5-core XLR male cable connector, black plated shell, silver plated contacts
SCMM5-G	5-core XLR male cable connector, pearl chrome plated shell, gold plated contacts
SCMM5-BG	5-core XLR male cable connector, black plated shell, gold plated contacts



Features and Benefits

- S Series XLR cable connector metal housing adopts external thread design which is convenient for quick locking with the boot and reducing assembly time
- Two cable clamps are provided for different cable diameters; black clamp 3.5-6mm, white clamp 6-8mm
- No ring design which is more compact
- Colored boots available for coding and identification
- The boot is equipped with a polyurethane sealing sleeve to prevent the cable from being affected by bending pressure to the greatest extent

Product Number	Description
SCSF3	3-core XLR female cable connector, nickel plated shell, silver plated contacts
SCSF3-B	3-core XLR female cable connector, black plated shell, silver plated contacts
SCSF3-G	3-core XLR female cable connector, nickel plated shell, gold plated contacts
SCSF3-BG	3-core XLR female cable connector, black plated shell, gold plated contacts
SCSM3	3-core XLR male cable connector, nickel plated shell, silver plated contacts
SCSM3-B	3-core XLR male cable connector, black plated shell, silver plated contacts
SCSM3-G	3-core XLR male cable connector, nickel plated shell, gold plated contacts
SCSM3-BG	3-core XLR male cable connector, black plated shell, gold plated contacts
SCSF4	4-core XLR female cable connector, nickel plated shell, silver plated contacts
SCSF4-B	4-core XLR female cable connector, black plated shell, silver plated contacts
SCSF4-G	4-core XLR female cable connector, nickel plated shell, gold plated contacts
SCSF4-BG	4-core XLR female cable connector, black plated shell, gold plated contacts
SCSM4	4-core XLR male cable connector, nickel plated shell, silver plated contacts
SCSM4-B	4-core XLR male cable connector, black plated shell, silver plated contacts
SCSM4-G	4-core XLR male cable connector, nickel plated shell, gold plated contacts
SCSM4-BG	4-core XLR male cable connector, black plated shell, gold plated contacts
SCSF5	5-core XLR female cable connector, nickel plated shell, silver plated contacts
SCSF5-B	5-core XLR female cable connector, black plated shell, silver plated contacts
SCSF5-G	5-core XLR female cable connector, nickel plated shell, gold plated contacts
SCSF5-BG	5-core XLR female cable connector, black plated shell, gold plated contacts
SCSM5	5-core XLR male cable connector, nickel plated shell, silver plated contacts
SCSM5-B	5-core XLR male cable connector, black plated shell, silver plated contacts
SCSM5-G	5-core XLR male cable connector, nickel plated shell, gold plated contacts
SCSM5-BG	5-core XLR male cable connector, black plated shell, gold plated contacts

Product Number	Description
SCSF*-*-LOD	* 3 4 5-core XLR female cable connector, * nickel black shell, * silver gold plated contacts
SCSM*-*-LOD	* 3 4 5-core XLR male cable connector, * nickel black shell, * silver gold plated contacts

LOD - Large Outer Diameter in the boot with cable size 8-10mm



SCHF3



SCHM3

Features and Benefits

- H Series XLR cable connector provides durability, corrosion-resistant with long service life more than 5000 times and high reliability suitable for harsh environment
- Improved chuck strain relief, increasing retention and easier and faster assembly and operation
- The stainless steel metal housing uses internal thread design to ensure that it can withstand gravity under any site conditions
- Two cable clamps are provided for different cable diameters; black clamp 3.5-6mm, white clamp 6-8mm
- No ring design which is more compact
- Colored boots available for coding and identification
- The boot is equipped with a polyurethane sealing sleeve to prevent the cable from being affected by bending pressure to the greatest extent

Product Number	Description
SCHF3	3-core XLR female cable connector, metal housing, silver plated contacts
SCHF3-B	3-core XLR female cable connector, black plated housing, silver plated contacts
SCHF3-G	3-core XLR female cable connector, metal housing, gold plated contacts
SCHF3-BG	3-core XLR female cable connector, black plated housing, gold plated contacts
SCHM3	3-core XLR male cable connector, metal housing, silver plated contacts
SCHM3-B	3-core XLR male cable connector, black plated housing, silver plated contacts
SCHM3-G	3-core XLR male cable connector, metal housing, gold plated contacts
SCHM3-BG	3-core XLR male cable connector, black plated housing, gold plated contacts
SCHF4	4-core XLR female cable connector, metal housing, silver plated contacts
SCHF4-B	4-core XLR female cable connector, black plated housing, silver plated contacts
SCHF4-G	4-core XLR female cable connector, metal housing, gold plated contacts
SCHF4-BG	4-core XLR female cable connector, black plated housing, gold plated contacts
SCHM4	4-core XLR male cable connector, metal housing, silver plated contacts
SCHM4-B	4-core XLR male cable connector, black plated housing, silver plated contacts
SCHM4-G	4-core XLR male cable connector, metal housing, gold plated contacts
SCSM4-BG	4-core XLR male cable connector, black plated housing, gold plated contacts
SCHF5	5-core XLR female cable connector, metal housing, silver plated contacts
SCHF5-B	5-core XLR female cable connector, black plated housing, silver plated contacts
SCHF5-G	5-core XLR female cable connector, metal housing, gold plated contacts
SCSF5-BG	5-core XLR female cable connector, black plated housing, gold plated contacts
SCHM5	5-core XLR male cable connector, metal housing, silver plated contacts
SCHM5-B	5-core XLR male cable connector, black plated housing, silver plated contacts
SCHM5-G	5-core XLR male cable connector, metal housing, gold plated contacts
SCHM5-BG	5-core XLR male cable connector, black plated housing, gold plated contacts



MJ3F2C



MK3F2C



MJ5F2C-BG



MK5F2C-BG

Features and Benefits

- D-shape metal shell with industry standard D-type installation dimensions provides installation compatibility
- Mountable on the front or rear of the panel

Product Number	Description
MJ3F2C	3-pin XLR male chassis connector, pearl chrome plated shell, silver plated contacts
MJ3F2C-B	3-pin XLR male chassis connector, black plated shell, silver plated contacts
MJ3F2C-G	3-pin XLR male chassis connector, pearl chrome plated shell, gold plated contacts
MJ3F2C-BG	3-pin XLR male chassis connector, black plated shell, gold plated contacts
MK3F2C	3-pin XLR female chassis connector, pearl chrome plated shell, silver plated contacts
MK3F2C-B	3-pin XLR female chassis connector, black plated shell, silver plated contacts
MK3F2C-G	3-pin XLR female chassis connector, pearl chrome plated shell, gold plated contacts
MK3F2C-BG	3-pin XLR female chassis connector, black plated shell, gold plated contacts
MJ4F2C	4-pin XLR male chassis connector, pearl chrome plated shell, silver plated contacts
MJ4F2C-B	4-pin XLR male chassis connector, black plated shell, silver plated contacts
MJ4F2C-G	4-pin XLR male chassis connector, pearl chrome plated shell, gold plated contacts
MJ4F2C-BG	4-pin XLR male chassis connector, black plated shell, gold plated contacts
MK4F2C	4-pin XLR female chassis connector, pearl chrome plated shell, silver plated contacts
MK4F2C-B	4-pin XLR female chassis connector, black plated shell, silver plated contacts
MK4F2C-G	4-pin XLR female chassis connector, pearl chrome plated shell, gold plated contacts
MK4F2C-BG	4-pin XLR female chassis connector, black plated shell, gold plated contacts
MJ5F2C	5-pin XLR male chassis connector, pearl chrome plated shell, silver plated contacts
MJ5F2C-B	5-pin XLR male chassis connector, black plated shell, silver plated contacts
MJ5F2C-G	5-pin XLR male chassis connector, pearl chrome plated shell, gold plated contacts
MJ5F2C-BG	5-pin XLR male chassis connector, black plated shell, gold plated contacts
MK5F2C	5-pin XLR female chassis connector, pearl chrome plated shell, silver plated contacts
MK5F2C-B	5-pin XLR female chassis connector, black plated shell, silver plated contacts
MK5F2C-G	5-pin XLR female chassis connector, pearl chrome plated shell, gold plated contacts
MK5F2C-BG	5-pin XLR female chassis connector, black plated shell, gold plated contacts



SCWF3



SCWM3



SCWF5-B



SCWM5-B

Features and Benefits

- Waterproof with IP65 rating XLR connectors for harsh and demanding outdoor environment
- The metal housing uses external thread design to ensure that it can withstand gravity under any site conditions
- Only black colored clamp which can accommodate cable with outer diameter 5-8 mm
- No ring design which is more compact
- Colored boots available for coding and identification
- The boot is equipped with a polyurethane sealing sleeve to prevent the cable from being affected by bending pressure to the greatest extent

Product Number	Description
SCWF3	3-core waterproof XLR female cable connector, pearl chrome plated shell, gold plated contacts
SCWF3-B	3-core waterproof XLR female cable connector, black plated shell, gold plated contacts
SCWM3	3-core waterproof XLR male cable connector, pearl chrome plated shell, gold plated contacts
SCWM3-B	3-core waterproof XLR male cable connector, black plated shell, gold plated contacts
SCWF4	4-core waterproof XLR female cable connector, pearl chrome plated shell, gold plated contacts
SCWF4-B	4-core waterproof XLR female cable connector, black plated shell, gold plated contacts
SCWM4	4-core waterproof XLR male cable connector, pearl chrome plated shell, gold plated contacts
SCWM4-B	4-core waterproof XLR male cable connector, black plated shell, gold plated contacts
SCWF5	5-core waterproof XLR female cable connector, pearl chrome plated shell, gold plated contacts
SCWF5-B	5-core waterproof XLR female cable connector, black plated shell, gold plated contacts
SCWM5	5-core waterproof XLR male cable connector, pearl chrome plated shell, gold plated contacts
SCWM5-B	5-core waterproof XLR male cable connector, black plated shell, gold plated contacts



J3F2C-W-B

K3F2C-W

J5F2C-W-B

K5F2C-W

Features and Benefits

- The industrys first waterproof XLR socket with IP65 waterproof rating
- Air-proof treatment at the rear part to prevent water vapor from entering inside the equipment
- D-shape metal shell with industry standard D-type installation dimensions provides installation compatibility
- Install on the front of the panel
- Solve to the fullest degree the fast connection requirements of the DMX lighting industry in outdoor conditions for signal input and output

Product Number	Description
J3F2C-W	3-pin waterproof XLR male chassis connector, pearl chrome shell, gold plated contacts
J3F2C-W-B	3-pin waterproof XLR male chassis connector, black shell, gold plated contacts
K3F2C-W	3-pin waterproof XLR female chassis connector, pearl chrome shell, gold plated contacts
K3F2C-W-B	3-pin waterproof XLR female chassis connector, black shell, gold plated contacts
J4F2C-W	4-pin waterproof XLR male chassis connector, pearl chrome shell, gold plated contacts
J4F2C-W-B	4-pin waterproof XLR male chassis connector, black shell, gold plated contacts
K4F2C-W	4-pin waterproof XLR female chassis connector, pearl chrome shell, gold plated contacts
K4F2C-W-B	4-pin waterproof XLR female chassis connector, black shell, gold plated contacts
J5F2C-W	5-pin waterproof XLR male chassis connector, pearl chrome shell, gold plated contacts
J5F2C-W-B	5-pin waterproof XLR male chassis connector, black shell, gold plated contacts
K5F2C-W	5-pin waterproof XLR female chassis connector, pearl chrome shell, gold plated contacts
K5F2C-W-B	5-pin waterproof XLR female chassis connector, black shell, gold plated contacts

**IP67
NEW**



SCWF3-67



SCWM3-67



SCWF5-B-67



SCWM5-B-67

Features and Benefits

- Improved XLR cable connector with protection rating up to IP67
- The housing is available in pearl chrome and black plating with gold plated contacts
- Truly solve the DMX lighting industry's fast connection requirements for signal input and output in outdoor conditions
- Designed to reduce shaking to improve transmission stability and protection

Product Number	Description
SCWF3-67	3-core waterproof XLR female cable connector, pearl chrome shell, gold contacts, IP67 rating
SCWF3-B-67	3-core waterproof XLR female cable connector, black shell, gold contacts, IP67 rating
SCWM3-67	3-core waterproof XLR male cable connector, pearl chrome shell, gold contacts, IP67 rating
SCWM3-B-67	3-core waterproof XLR male cable connector, black shell, gold contacts, IP67 rating
SCWF4-67	4-core waterproof XLR female cable connector, pearl chrome shell, gold contacts, IP67 rating
SCWF4-B-67	4-core waterproof XLR female cable connector, black shell, gold contacts, IP67 rating
SCWM4-67	4-core waterproof XLR male cable connector, pearl chrome shell, gold contacts, IP67 rating
SCWM4-B-67	4-core waterproof XLR male cable connector, black shell, gold contacts, IP67 rating
SCWF5-67	5-core waterproof XLR female cable connector, pearl chrome shell, gold contacts, IP67 rating
SCWF5-B-67	5-core waterproof XLR female cable connector, black shell, gold contacts, IP67 rating
SCWM5-67	5-core waterproof XLR male cable connector, pearl chrome shell, gold contacts, IP67 rating
SCWM5-B-67	5-core waterproof XLR male cable connector, black shell, gold contacts, IP67 rating



**IP67
NEW**

Features and Benefits

- Improved version of industry’s first waterproof XLR chassis with protection rating up to IP67
- Greater degree of protection against dust and water from entering inside the equipment
- D-shape metal shell with industry standard D-type installation dimensions provides installation compatibility
- Install on the front of the panel
- More reliable and durable for high-performance fast connection requirements of the DMX lighting industry in outdoor conditions for signal input and output
- **Airproof** treatment which can withstand air pressure of 0.2Mpa and no leakage at the rear when waterproof cover is not in use

Product Number	Description
J3F2C-W-67	3-pin waterproof XLR male chassis connector, pearl chrome shell, gold plated contacts, IP67 rating
J3F2C-W-B-67	3-pin waterproof XLR male chassis connector, black shell, gold plated contacts, IP67 rating
K3F2C-W-67	3-pin waterproof XLR female chassis connector, pearl chrome shell, gold plated contacts, IP67 rating
K3F2C-W-B-67	3-pin waterproof XLR female chassis connector, black shell, gold plated contacts, IP67 rating
J4F2C-W-67	4-pin waterproof XLR male chassis connector, pearl chrome shell, gold plated contacts, IP67 rating
J4F2C-W-B-67	4-pin waterproof XLR male chassis connector, black shell, gold plated contacts, IP67 rating
K4F2C-W-67	4-pin waterproof XLR female chassis connector, pearl chrome shell, gold plated contacts, IP67 rating
K4F2C-W-B-67	4-pin waterproof XLR female chassis connector, black shell, gold plated contacts, IP67 rating
J5F2C-W-67	5-pin waterproof XLR male chassis connector, pearl chrome shell, gold plated contacts, IP67 rating
J5F2C-W-B-67	5-pin waterproof XLR male chassis connector, black shell, gold plated contacts, IP67 rating
K5F2C-W-67	5-pin waterproof XLR female chassis connector, pearl chrome shell, gold plated contacts, IP67 rating
K5F2C-W-B-67	5-pin waterproof XLR female chassis connector, black shell, gold plated contacts, IP67 rating



C3F2C-W

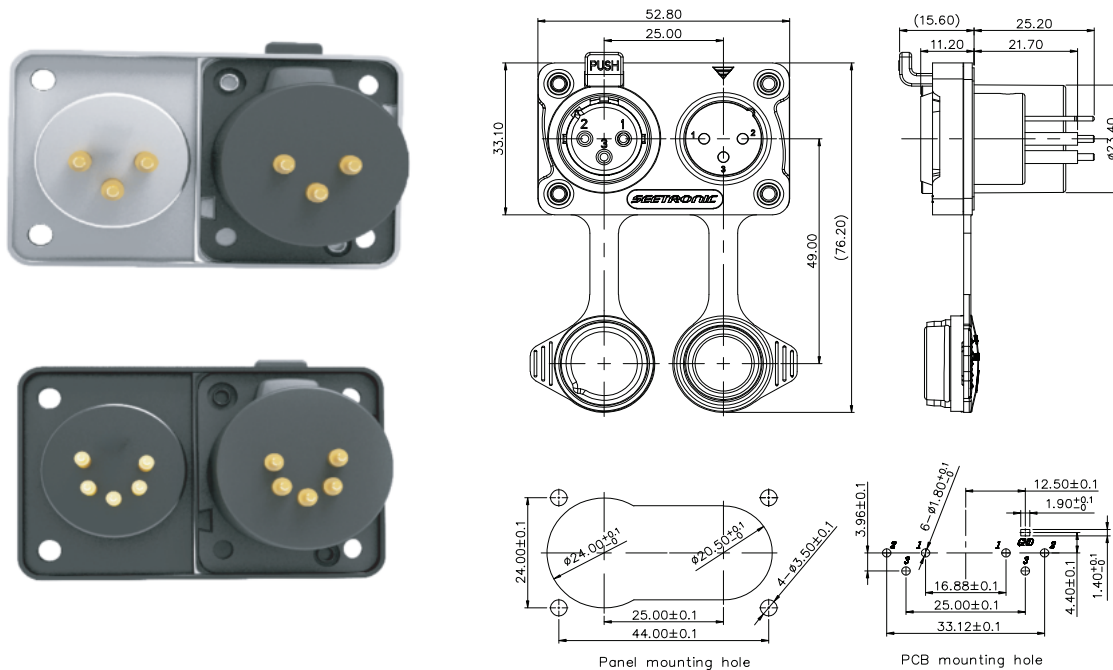


C5F2C-W-B

Features and Benefits

- The industry's first waterproof XLR input-output combined socket with IP65 waterproof rating
- **Airproof** treatment at the rear part to prevent water vapor from entering inside the equipment
- D-shape metal shell with industry standard D-type installation dimensions provides installation compatibility
- Install from the front of the panel
- Sealed with rubber cover provides waterproof and dust proof protection
- Solve to the fullest degree the fast connection requirements of the DMX lighting industry in outdoor conditions for signal input and output

Product Number	Description
C3F2C-W	3-pole waterproof XLR combine male-female chassis connector, pearl chrome shell, gold plated contacts
C3F2C-W-B	3-pole waterproof XLR combined male-female chassis connector, black shell, gold plated contacts
C4F2C-W	4-pole waterproof XLR combined male-female chassis connector, pearl chrome shell, gold plated contacts
C4F2C-W-B	4-pole waterproof XLR combined male-female chassis connector, black shell, gold plated contacts
C5F2C-W	5-pole waterproof XLR combined male-female chassis connector, pearl chrome shell, gold plated contacts
C5F2C-W-B	5-pole waterproof XLR combined male-female chassis connector, black shell, gold plated contacts





SCADF3-V



SCADM3-V



SCADF5-H

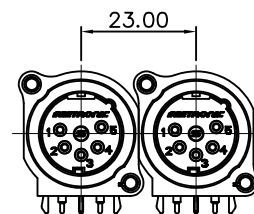
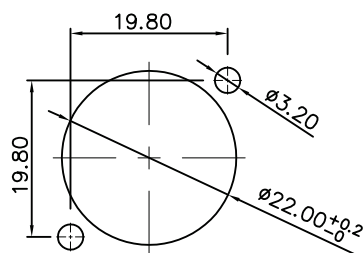
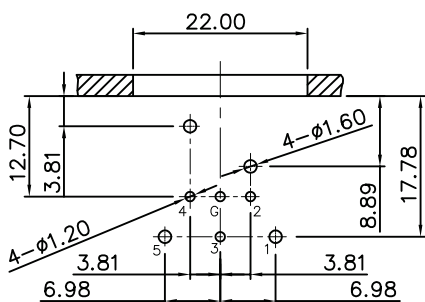


SCADM5-H

Features and Benefits

- A-Series XLR chassis with round metal body, steel latch lock and PCB mount panel connector
- Small size and high packing density (23mm between centers)
- Install from the rear of the panel

Product Number	Description
SCADF3-V	3-pin XLR female receptacle, grounding: separate ground contact to mating connector shell and front panel, vertical PCB mount, metal housing, gold plated contacts
SCADF3-V1	3-pin XLR female receptacle, grounding: mating connector shell to pin1 and front panel, vertical PCB mount, metal housing, gold plated contacts
SCADM3-V	3-pin XLR male receptacle, grounding: separate ground contact to mating connector shell and front panel, vertical PCB mount, metal housing, gold plated contacts
SCADM3-V1	3-pin XLR male receptacle, grounding: mating connector shell to pin1 and front panel, vertical PCB mount, metal housing, gold plated contacts
SCADF3-H	3-pin XLR female receptacle, grounding: separate ground contact to mating connector shell and front panel, horizontal PCB mount, metal housing, gold plated contacts
SCADF3-H	3-pin XLR male receptacle, grounding: separate ground contact to mating connector shell and front panel, horizontal PCB mount, metal housing, gold plated contacts
SCADF5-V	5-pin XLR female receptacle, grounding: separate ground contact to mating connector shell and front panel, vertical PCB mount, metal housing, gold plated contacts
SCADM5-V	5-pin XLR male receptacle, grounding: separate ground contact to mating connector shell and front panel, vertical PCB mount, metal housing, gold plated contacts
SCADF5-H	5-pin XLR female receptacle, grounding: separate ground contact to mating connector shell and front panel, horizontal PCB mount, metal housing, gold plated contacts
SCADM5-H	5-pin XLR male receptacle, grounding: separate ground contact to mating connector shell and front panel, horizontal PCB mount, metal housing, gold plated contacts





SCBDF3-V



SCBDM3-V



SCBDF5-H



SCBDM5-H

Features and Benefits

- A Series XLR chassis with round plastic body, steel latch lock and PCB mount panel connector
- Small size and high packing density (23mm between centers)
- Install from the rear of the panel

Product Number	Description
SCBDF3-V	3-pin XLR female receptacle, grounding: separate ground contact to mating connector shell and front panel, vertical PCB mount, plastic housing, gold plated contacts
SCBDF3-V1	3-pin XLR female receptacle, grounding: mating connector shell to pin1 and front panel, vertical PCB mount, plastic housing, gold plated contacts
SCBDM3-V	3-pin XLR male receptacle, grounding: separate ground contact to mating connector shell and front panel, vertical PCB mount, plastic housing, gold plated contacts
SCBDM3-V1	3-pin XLR male receptacle, grounding: mating connector shell to pin1 and front panel, vertical PCB mount, plastic housing, gold plated contacts
SCBDF3-H	3-pin XLR female receptacle, grounding: separate ground contact to mating connector shell and front panel, horizontal PCB mount, plastic housing, gold plated contacts
SCBDF3-H	3-pin XLR male receptacle, grounding: separate ground contact to mating connector shell and front panel, horizontal PCB mount, plastic housing, gold plated contacts
SCBDF5-V	5-pin XLR female receptacle, grounding: separate ground contact to mating connector shell and front panel, vertical PCB mount, plastic housing, gold plated contacts
SCBDM5-V	5-pin XLR male receptacle, grounding: separate ground contact to mating connector shell and front panel, vertical PCB mount, plastic housing, gold plated contacts
SCBDF5-H	5-pin XLR female receptacle, grounding: separate ground contact to mating connector shell and front panel, horizontal PCB mount, plastic housing, gold plated contacts
SCBDM5-H	5-pin XLR male receptacle, grounding: separate ground contact to mating connector shell and front panel, horizontal PCB mount, plastic housing, gold plated contacts



SJSDF6H



SJSDF6V

Features and Benefits

- Hybrid panel connector combining 3-pole XLR socket and 1/4" stereo phone jack in one XLR housing
- Install from the rear of the panel
- Save space, cost-effective and simplify PCB design

Product Number	Description
SJSDF6H	Combined 3-pole XLR female socket and 1/4" stereo phone jack, horizontal PCB mount
SJSDF6V	Combined 3-pole XLR female socket and 1/4" stereo phone jack, vertical PCB mount





CNAC-C



CNAC-J



CNAC-K



SCM-BOOT-*

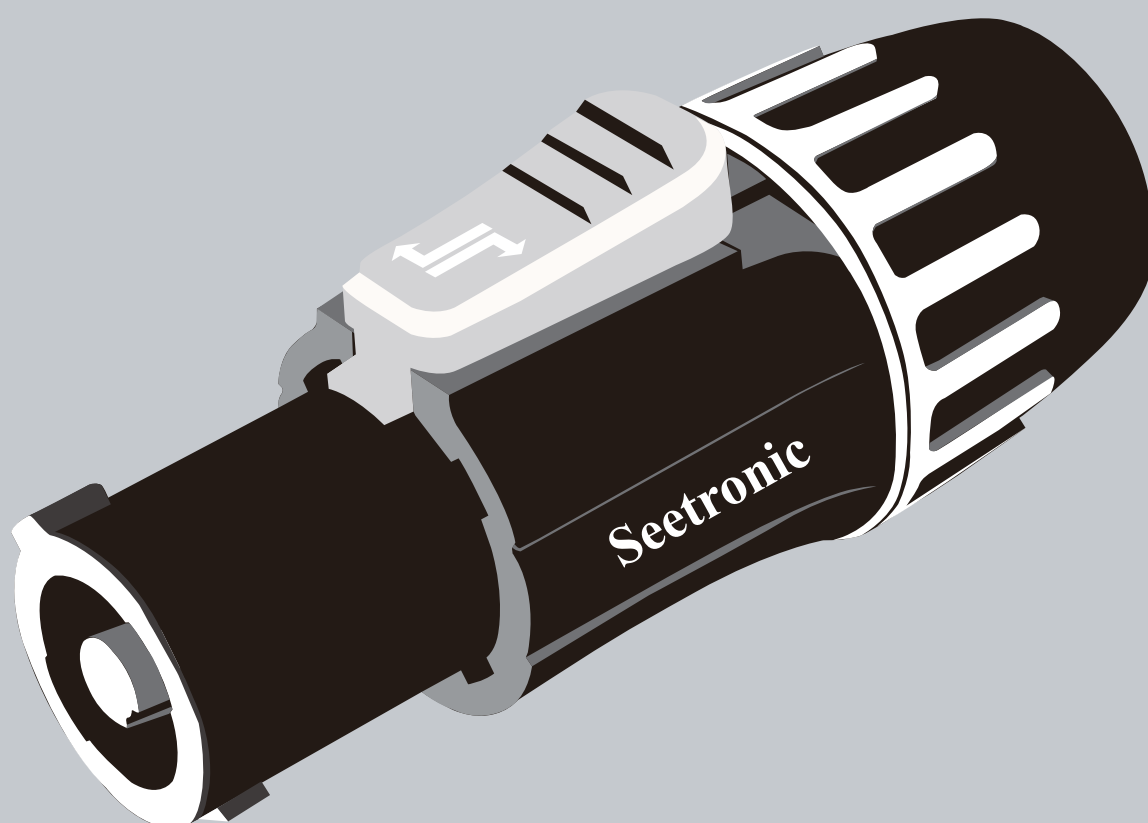


SCS-BOOT-*

Product Number	Description
CNAC-C	Rubber sealing cover for W Series waterproof XLR combined chassis connectors, IP65 rating
CNAC-J	Rubber sealing cover for W Series waterproof XLR female chassis connectors, IP65 rating
CNAC-K	Rubber sealing cover for W Series waterproof XLR male chassis connectors, IP65 rating
SCM-BOOT-*	Colored boots for color coding of M Series XLR cable connectors
SCS-BOOT-*	Colored boots for color coding of S Series XLR cable connectors

* GY-Gray BK-Black RD-Red BN-Brown OG-Orange Pu-Purple YE-Yellow BU-Blue GN-Green WH-White

Loudspeaker Connectors



SEETRONIC



SLDF4



SLDM4



SLDDM4

Features and Benefits

- Loudspeaker cable and chassis connectors are standard connectors for various amplifier and PA applications
- Optimum fact locking system, rugged and durable metal housing design

Product Number	Description
SLDF4	4 pole female cable connector, nickel housing, cable OD ≤ 6mm ² (AWG10), current rating continuous 30 Amp
SLDF4-B	4 pole female cable connector, black housing, cable OD ≤ 6mm ² (AWG10), current rating continuous 30 Amp
SLDM4	4 pole male cable connector, black housing, cable OD ≤ 6mm ² (AWG10), current rating continuous 30 Amp
SLDM4-B	4 pole male cable connector, black housing, cable OD ≤ 6mm ² (AWG10), current rating continuous 30 Amp
SLDDM4	4 pole chassis connector, nickel housing, solder or 1/4" flat tabs, current rating continuous 30 Amp
SLDDM4-B	4 pole chassis connector, black housing, solder or 1/4" flat tabs, current rating continuous 30 Amp



ML4FC-X



SL4FX-N



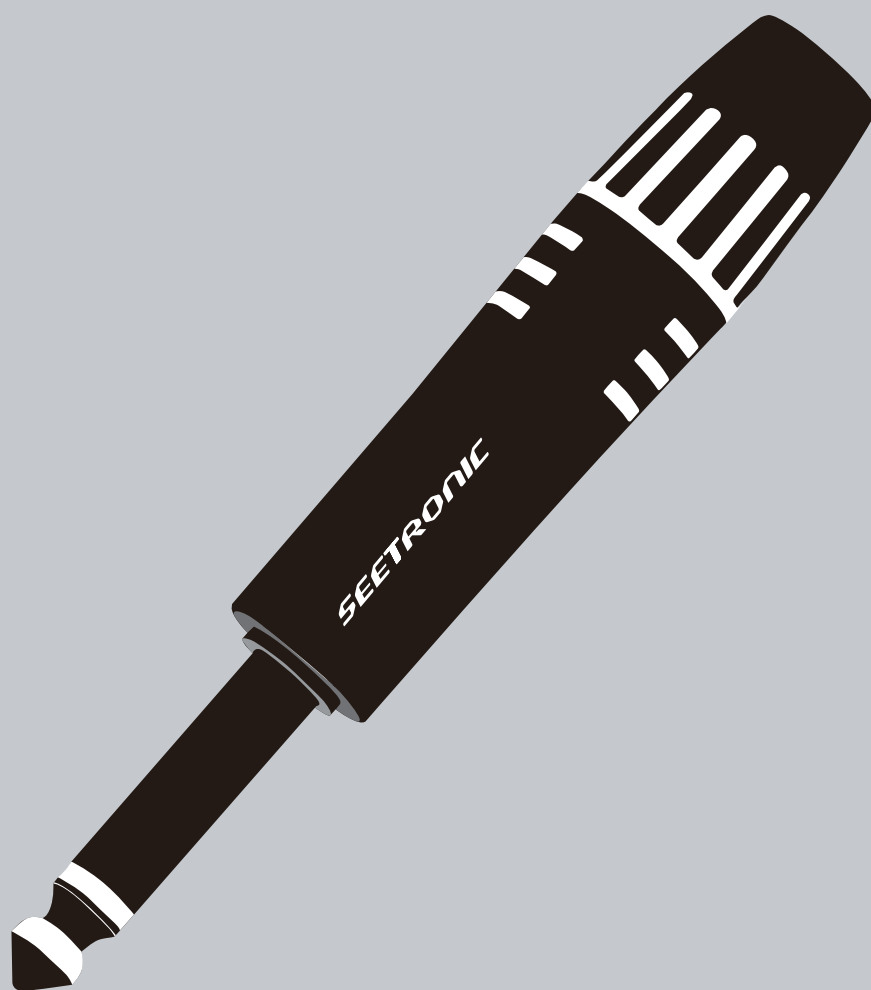
SL4MP

Features and Benefits

- Loudspeaker connectors are standard connectors for various amplifier and PA applications
- Easy to assemble loudspeaker cable connector consisting of 4 parts and improved grip on latch for easy operation
- Metal insert on loudspeaker chassis connector with accurate twist lock latching system and air tight design
- High impact plastic materials, long-lasting and reliable

Product Number	Description
ML4FC-X	4 pole cable connector, 30 A rms current rating, strain relief chuck, cable OD 6-15mm
SL4FX-N	4 pole cable connector, 40 A rms current rating, strain relief chuck, cable OD 7-14.5mm
SL4MP	4 pole chassis connector, D-size black plastic flange, current rating up to 30 A rms

Plugs and Jacks



SEETRONIC



MP2X



MP2RX-BG



MP3X-B

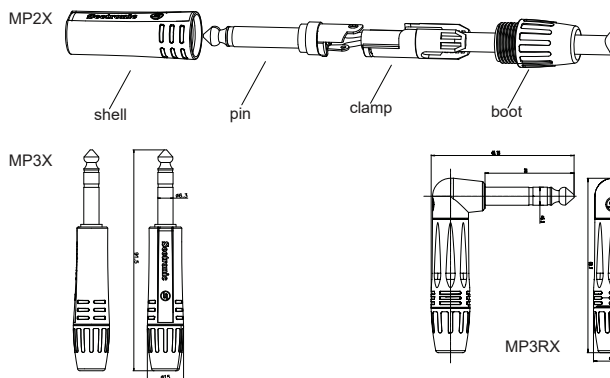


MP3RX-BG

Features and Benefits

- Professional plug with chuck type strain relief verified countless times
- Delicately designed with fine surface treatment and precision machined one piece contact without rivets
- Applicable to all connecting requirements for stage and patch boxes, amplifiers, loudspeakers and sound consoles

Product Number	Description
MP2X	1/4" mono plug, pearl chrome plated shell, nickel plated contact, cable OD 4-7mm
MP2X-B	1/4" mono plug, black plated shell, nickel plated contact, cable OD 4-7mm
MP2X-G	1/4" mono plug, pearl chrome plated shell, gold plated contact, cable OD 4-7mm
MP2X-BG	1/4" mono plug, black plated shell, gold plated contact, cable OD 4-7mm
MP3X	1/4" stereo plug, pearl chrome plated shell, nickel plated contact, cable OD 4-7mm
MP3X-B	1/4" stereo plug, black chrome plated shell, nickel plated contact, cable OD 4-7mm
MP3X-G	1/4" stereo plug, pearl chrome plated shell, gold plated contact, cable OD 4-7mm
MP3X-BG	1/4" stereo plug, black plated shell, gold plated contact, cable OD 4-7mm
MP2RX	1/4" mono right-angle plug, pearl chrome plated shell, nickel plated contact, cable OD 4-7mm
MP2RX-B	1/4" mono right-angle plug, black plated shell, nickel plated contact, cable OD 4-7mm
MP2RX-G	1/4" mono right-angle plug, pearl chrome plated shell, gold plated contact, cable OD 4-7mm
MP2RX-BG	1/4" mono right-angle plug, black plated shell, gold plated contact, cable OD 4-7mm
MP3RX	1/4" stereo right-angle plug, pearl chrome plated shell, nickel plated contact, cable OD 4-7mm
MP3RX-B	1/4" stereo right-angle plug, black plated shell, nickel plated contact, cable OD 4-7mm
MP3RX-G	1/4" stereo right-angle plug, pearl chrome plated shell, gold plated contact, cable OD 4-7mm
MP3RX-BG	1/4" stereo right-angle plug, black plated shell, gold plated contact, cable OD 4-7mm



MP-BOOT-*

Product Number	Description
MP-BOOT-*	Colored boots for color coding of 1/4" mono plug, connectors

* GY-Gray BK-Black RD-Red BN-Brown OG-Orange Pu-Purple YE-Yellow BU-Blue GN-Green WH-White



ST201



ST202



ST224



ST225

Features and Benefits

- Professional plug with chuck type strain relief verified countless times
- Precision machined one piece contact without rivets
- Applicable to all connecting requirements for stage and patch boxes, amplifiers, loudspeakers and sound consoles

Product Number	Description
ST201	1/4" mono plug, chromium plated shell, nickel plated contact, cable OD 4-6mm
ST202	1/4" stereo plug, chromium plated shell, nickel plated contact, cable OD 4-6mm
ST224	1/4" mono plug, nickel plated shell and contact, cable OD ≤ 7.5mm
ST225	1/4" mono plug, pearl chrome plated shell, nickel plated contact, cable OD ≤ 10mm



ST2122



ST213



ST215A



ST229L

Product Number	Description
ST2122	1/4" mono plastic jack, tin plated contact, horizontal PCB mount, plastic socket with plastic gasket and screw nut on the front
ST213	1/4" mono plastic jack, tin plated contact, horizontal PCB mount, metal socket with plastic gasket and screw nut on the front
ST215A	1/4" mono plastic jack, tin plated contact, horizontal PCB mount, metal socket with plastic gasket and screw nut on the front
ST229L	1/4" mono jack, unswitched, finished thread, nut and screw are tightly combined and there is no loosening of the nut; if switched, the model is ST229S
ST230	1/4" stereo jack, unswitched, finished thread, nut and screw are tightly combined and there is no loosening of the nut



MTP3C



MTP3C-BG



M2TP3C



M2TP3C-BG

Features and Benefits

- Professional slim plug with chuck type strain relief verified countless times
- Exquisite design with fine surface treatment for best handling convenience

Product Number	Description
MTP3C	3.5mm stereo slim plug, pearl chrome plated shell, nickel plated contact, cable OD 3.5-6.5mm
MTP3C-B	3.5mm stereo slim plug, black plated shell, nickel plated contact, cable OD 3.5-6.5mm
MTP3C-G	3.5mm stereo slim plug, pearl chrome plated shell, gold plated contact, cable OD 3.5-6.5mm
MTP3C-BG	3.5mm stereo slim plug, black plated shell, gold plated contact, cable OD 3.5-6.5mm
M2TP3C	3.5mm stereo slim plug, pearl chrome plated shell, nickel plated contact, cable OD 2-4.5mm
M2TP3C-B	3.5mm stereo slim plug, black chrome plated shell, nickel plated contact, cable OD 2-4.5mm
M2TP3C-G	3.5mm stereo slim plug, pearl chrome plated shell, gold plated contact, cable OD 2-4.5mm
M2TP3C-BG	3.5mm stereo slim plug, black plated shell, gold plated contact, cable OD 2-4.5mm
MTP3RC	3.5mm stereo right-angle plug, pearl chrome plated shell, nickel plated contact, cable OD 2-4.5mm
MTP3RC-B	3.5mm stereo right-angle plug, black plated shell, nickel plated contact, cable OD 2-4.5mm
MTP3RC-G	3.5mm stereo right-angle plug, pearl chrome plated shell, gold plated contact, cable OD 2-4.5mm
MTP3RC-BG	3.5mm stereo right-angle plug, black plated shell, gold plated contact, cable OD 2-4.5mm



ST231L



ST231L-BG



ST240

Product Number	Description
ST231L	3.5mm stereo slim plug, nickel plated shell and contact, cable OD 2-6mm
ST231L-BG	3.5mm stereo slim plug, black plated shell, gold plated contact, cable OD 2-6mm
ST240	3.5mm stereo slim plug, nickel plated shell and contact, max AWG 6mm

RCA Connectors



SEETRONIC



MT390



MT380



ST352



ST366

Features and Benefits

- Professional RCA cable connector used to transmit digital audio signals and analog video signals
- Good contact performance, stable signal transmission and no disturbing noise and broken speaker cones

Product Number	Description
MT380	RCA male plug, black plated shell, gold plated contact, cable OD 3.5-6.5mm
MT390	RCA female plug, black plated shell, gold plated contact, cable OD 3.5-6.5mm
ST352	RCA male plug, nickel plated shell and contact, cable OD 3.5-6.5mm
ST366	RCA male plug, nickel plated shell and contact, cable OD 4-6mm, colored rings available in black, red and yellow to distinguish different signals



MF2D



MF2D-B



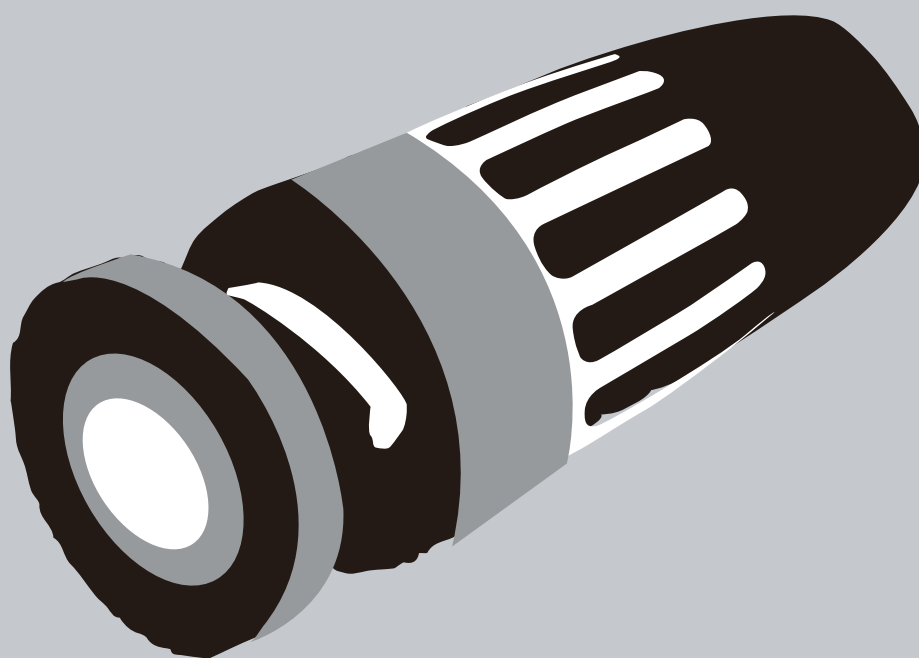
TX-Z1

Features and Benefits

- Professional RCA chassis connectors used to transmit digital audio signals and analog video signals
- Good contact performance, stable signal transmission and no disturbing noise and broken speaker cones
- Standard D-size installation dimension and easy for module integration installation

Product Number	Description
MF2D	RCA female chassis, standard D-shape nickel housing, gold plated contact
MF2D-B	RCA female chassis, standard D-shape black housing, gold plated contact
TX-Z1	RCA female socket, gold plated contact, install from the rear of the panel

BNC Connectors





SEBNCM-75GF7



SEBNCM-75PL9

Features and Benefits

- This BNC connector designed with reduced outer diameter pin and insulation features low return loss and real 75Ω characteristics impedance which is suitable for UHD signal transmission
- Chrome plated housing, comfortable appearance and feel and excellent durability
- Bayonet locking and unlocking type which is easy to use
- Gold plated pin ensures that the signal is stable after plugging and unplugging
- Crimping installations ensures reliable and rapid installation of connectors and cables
- Various boot sleeve colors available for easy to distinguish cable lines

Product Number	Inner Conductor OD (mm)	Insulation	Cable OD (mm)	Pin Crimp (mm)	Hexagonal Crimp (mm)
SEBNCM-75GF7	< 0.7	< 3.1	< 4.7	1.07	5.00
SEBNCM-75PL9	< 0.9	< 3.8	< 6.3	1.07	6.47



SBNC75F



MBB75F



MBB75DFG

Features and Benefits

- True 75Ω design BNC which meets the strict requirements of HDTV/DVD
- The center contact point is gold plated which ensures that the signal transmission is still stable after long-term plugging and unplugging
- Fast connection and reliable contact
- Widely used to connect radio frequency coaxial cables in the field of radio equipment and electronic instrument

Product Number	Description
SBNC75F	True 75Ω BNC cable connector, nickel housing, gold plated contact
MBB75F	True 75Ω BNC chassis connector, D-shape nickel housing, gold plated contact, solder version
MBB75DFG	True 75Ω BNC chassis connector, D-shape nickel housing, gold plated contact, feedthrough

	Product Number	Pin Crimp (mm)	Hexagonal Crimp (mm)
Belden¹			
Belden 1855ENH	SEBNCM-75GF7	1.07	5.00
Belden 1426A, 1505A (ANH)	SEBNCM-75PL9	1.07	6.47
Belden 8242F	SEBNCM-75PL9	1.07	6.47
Canare²			
Canare L-2.5CHWS	SEBNCM-75GF7	1.07	5.00
Canare L-3.3CUHD	SEBNCM-75PL9	1.07	6.47
Canare L-4CFB	SEBNCM-75PL9	1.07	6.47
KLOTZ³			
KLOTZ V06/28, V062SH, VMXx75Y	SEBNCM-75GF7	1.07	5.00
KLOTZ V08/37H, VD083SH	SEBNCM-75PL9	1.07	6.47
SOMMER⁴			
SOMMER 600-0101M	SEBNCM-75GF7	1.07	5.00
SOMMER 600-0104M	SEBNCM-75GF7	1.07	5.00
SOMMER 600-162(F), Vctor 0.8/3.7	SEBNCM-75PL9	1.07	6.47
SOMMER 600-0451	SEBNCM-75PL9	1.07	6.47
SOMMER 600-0621-05	SEBNCM-75GF7	1.07	5.00
SOMMER 600-0791	SEBNCM-75GF7	1.07	5.00
SOMMER 600-0851	SEBNCM-75GF7	1.07	5.00
SOMMER 600-0851-05	SEBNCM-75GF7	1.07	5.00
SOMMER 600-1451	SEBNCM-75GF7	1.07	5.00
SOMMER 600-2101	SEBNCM-75GF7	1.07	5.00
SOMMER 600-2231	SEBNCM-75PL9	1.07	6.47
SOMMER 600-0761	SEBNCM-75GF7	1.07	5.00

¹BELDEN is a registered trademark of Belden Inc.

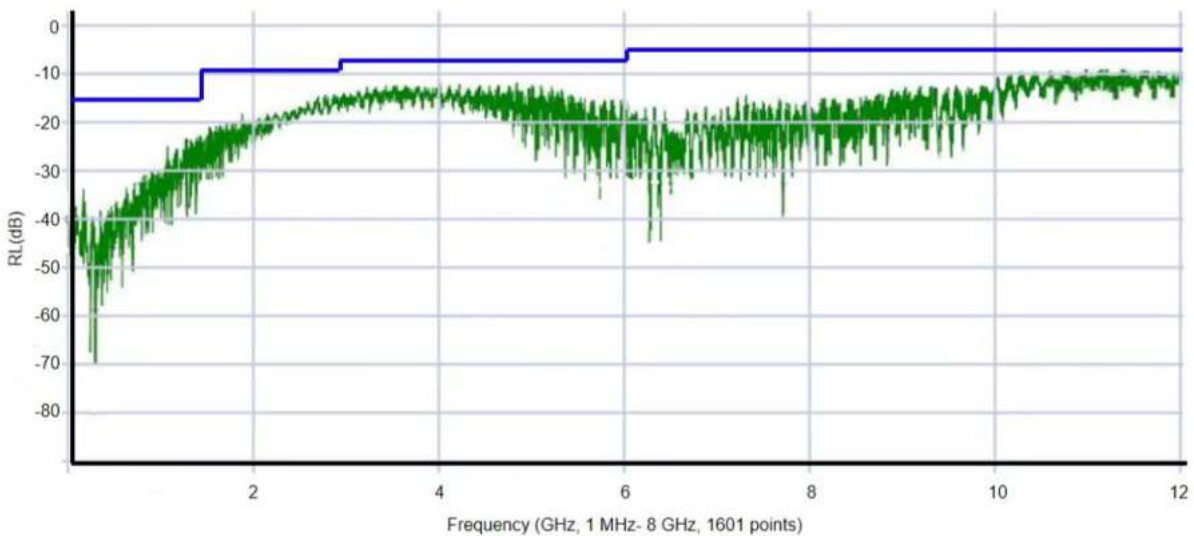
²Canare is a registered trademark of Canare Electric Co., Ltd.

³KLOTZ is a registered trademark of Klotz Audio Interface Systems A.I.S. GmbH

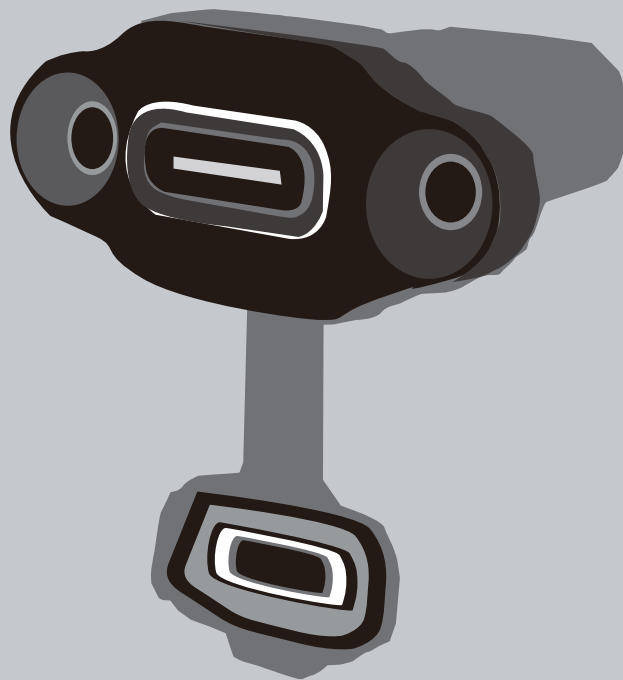
⁴SOMMER is a registered trademark of Sommer Cable GmbH

Test Report of Seetronic's BNC UHD Connectors

The graph showing blue line is the industry standards and the green is the test data of Seetronic's BNC UHD connectors which shows that our BNC connectors passed the standards.

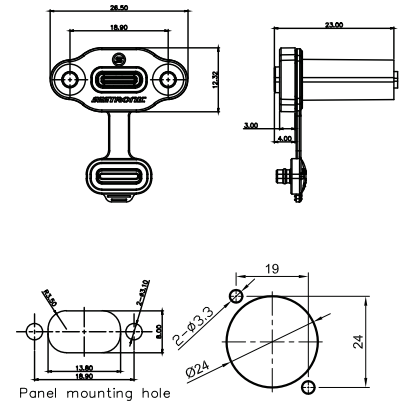


Data Connectors





SCCMDF-01



Features and Benefits

- Reliable and compact Type-C female to female connector
- High current capacity rated at 5A
- Dual 24P full port
- Prevent water and air leakages at the same time with waterproof grade IP65
- Meet the standard USB 3.1

Product Number	Description
SCCMDF-01	USB 3.0 compact Type C female to female connector, dual 24P full port, 5Amp



SAUSB-W



SAUSB-W-B



MAUSB-W



MAUSB-W-B

Product Number	Description
SAUSB-W	USB transformer, Type A - Type B, D-shape nickel shell
SAUSB-W-B	USB transformer, Type A - Type B, D-shape black shell
SBUSB-W	USB transformer, Type B - Type A, D-shape nickel shell
SBUSB-W-B	USB transformer, Type B - Type A, D-shape black shell
MAUSB-W	USB transformer, Type A - Type B, standard 2.54mm 4P horn interface D-shape nickel shell equipped with rubber cover, IP65 waterproof rating
MAUSB-W-B	USB transformer, Type A - Type B, standard 2.54mm 4P horn interface D-shape black shell equipped with rubber cover, IP65 waterproof rating



SAHDMI-W



SAHDMI-W-B



CNAC-HDMI

Features and Benefits

- HDMI chassis connector series in standard D-size housing for the integration solution of easy network transmission of any digital TV and other video format including HDTV

Product Number	Description
SAHDMI-W	Standard HDMI 1.3 adapter with 19-pin design on both ends, D-shape metal shell, waterproof when used with CNAC-HDMI
SAHDMI-W-B	Standard HDMI 1.3 adapter with 19-pin design on both ends, D-shape black metal shell, waterproof when used with CNAC-HDMI
CNAC-HDMI	Waterproof cover for HDMI chassis



SO2-4FDW

SO2-4FDW-B

Features and Benefits

- Optical fiber connector is a good solution for equipment connection and system integration which is built based on traditional LC and can be directly matched with traditional LC terminals

Product Number	Description
SO2-4FDW	Optical fiber chassis connector, D-type metal shell, LC dual feedthrough terminals compatible with single-mode and multi-mode, waterproof and dustproof with sealing gasket
SO2-4FDW-B	Optical fiber chassis connector, D-type black shell, LC dual feedthrough terminals compatible with single-mode and multi-mode, waterproof and dustproof with sealing gasket

NEW



SO2DF

Features and Benefits

- Patented design with automatic sealing cover
- Silicone rubber padded cover provides dust and dirt protection for fiber optic connections
- The front end can be connected with SO2M or standard LC connector and back end can be connected with standard LC connector for easy installation
- Waterproof IP65 in mated state

Product Number	Description
SO2DF	Optical fiber chassis connector, black plated housing, patented automatic sealing cover design, IP65 waterproof rating in mated condition

NEW



SO2-L

SO2DF

Features and Benefits

- Robust and reliable dual-channel fiber connection system
- Waterproof to IP65 when connected
- Simple and reliable keystroke-through locking mechanism
- Plastic housing, small and lightweight

Product Number	Description
SO2M	Dual-channel fiber optic plug with keystroke locking mechanism, plastic housing, IP65 waterproof rating in mated condition
SO2-L	Dual-channel fiber optic connection system equipped with armored fiber optic cable IP65 waterproof rating in mated condition, cable available in different length

Adapters



SEETRONIC



MA3F3F



MA5F3F



MA5M3F



MA3FJ3



MA3FP2



MA3FP3



MA3FRF



MA3FRM

Features and Benefits

- Multi-functional adapters which meet the interface requirements of different connections
- Professional look and robust metal die-cast housing which provides the best reliability

Product Number	Description
MA3F3F	Circular metal adapter, 3-pin XLR female - 3-pin XLR female
MA5F3F	Circular metal adapter, 5-pin XLR female - 3-pin XLR female
MA5M3F	Circular metal adapter, 5-pin XLR male - 3-pin XLR female
MA3FJ3	Circular metal adapter, 3-pin XLR female - 1/4" jack female
MA3FP2	Circular metal adapter, 3-pin XLR female - 1/4" mono plug
MA3FP3	Circular metal adapter, 3-pin XLR female - 1/4" stereo plug
MA3FRF	Circular metal adapter, 3-pin XLR female - RCA female socket
MA3FRM	Circular metal adapter, 3-pin XLR female - RCA male plug



MA3M3M

MA3M5F

MA3M5M

MA3MJ3



MA3MP2

MA3MP3

MA3MRF

MA3MRM

Features and Benefits

- Multi-functional adapters which meet the interface requirements of different connections
- Professional look and robust metal die-cast housing which provides the best reliability

Product Number	Description
MA3M3M	Circular metal adapter, 3-pin XLR male - 3-pin XLR male
MA3M5F	Circular metal adapter, 3-pin XLR male - 5-pin XLR female
MA3M5M	Circular metal adapter, 3-pin XLR male - 5-pin XLR male
MA3MJ3	Circular metal adapter, 3-pin XLR male - 1/4" jack female
MA3MP2	Circular metal adapter, 3-pin XLR male - 1/4" mono plug
MA3MP3	Circular metal adapter, 3-pin XLR male - 1/4" stereo plug
MA3MRF	Circular metal adapter, 3-pin XLR male - RCA female socket
MA3MRM	Circular metal adapter, 3-pin XLR male - RCA male plug



MP2-RF



MP3-2MJF



MP3-2PM



MP3-2RF



MP3-MJF



MP3-PM-R

Features and Benefits

- Multi-functional adapters which meet the interface requirements of different connections
- Professional look and durable plastic housing

Product Number	Description
MP2-RF	Plastic housing adapter, 1/4" mono plug - RCA female socket
MP3-2MJF	Plastic housing adapter, 1/4" stereo plug - 2 x 3.5mm jack
MP3-2PM	Plastic housing adapter, 1/4" sterep plug - 2 x 1/4" jack
MP3-2RF	Plastic housing adapter, 1/4" stereo plug - 2 x RCA female socket
MP3-MJF	Plastic housing adapter, 1/4" stereo plug - 3.5mm jack
MP3-PM-R	Plastic housing adapter, 1/4" stereo plug - 1/4" right-angle jack



MMJ3-2MJF



MMJ3-2PM



MMJ3-2RF



MMJ3-PM



MMJ3-MJF-R



MMJ3-PM-R



MRM-2RF

Features and Benefits

- Multi-functional adapters which meet the interface requirements of different connections
- Professional look and durable plastic housing

Product Number	Description
MMJ3-2MJF	Plastic housing adapter, 3.5mm stereo plug - 2 x 3.5mm jack
MMJ3-2PM	Plastic housing adapter, 3.5mm stereo plug - 2 x 1/4" jack
MMJ3-2RF	Plastic housing adapter, 3.5mm sterep plug - 2 x RCA female socket
MMJ3-PM	Plastic housing adapter, 3.5mm stereo plug - 1/4" jack
MMJ3-MJF-R	Plastic housing adapter, 3.5mm stereo plug 3.5mm right angle jack
MMJ3-PM-R	Plastic housing adapter, 3.5mm stereo plug - 1/4" right-angle jack
MRM-2RF	Plastic housing adapter, RCA male plug - 2 x RCA female socket





Seetronic products meet the requirements of relevant national and international standards.





Ningbo Seetronic Electronic Technology Co., Ltd.

No. 2 Yunyao Road, Yunlong Town, Yinzhou District
Ningbo City, Zhejiang Province, China 315131

Phone: +86 574 82819269
Fax: +86 574 83070418
Email: sales@seetronic.com

www.seetronic.com

© 2023 All Rights Reserved